

Bolted Coupler
A374A - A474A

300/425 Amp Series C (Aluminium)

Body Size C - 6600V

Ordering Procedure

- 1 Select complete Coupler from Table 1
- 2 Select Phase Thimble from Table 2 (3 Required)
- 3 Select Gland from N Series Glands (Aluminium)
- 4 Select Accessories from Aluminium Body Size C Accessories

Table 1

Part Number	Description	Colour
A374A	300A 6600V Bolted Coupler	Silver
A474A	425A 6600V Bolted Coupler	Silver

NB: Coupler supplied with Pilot Thimble

Table 2

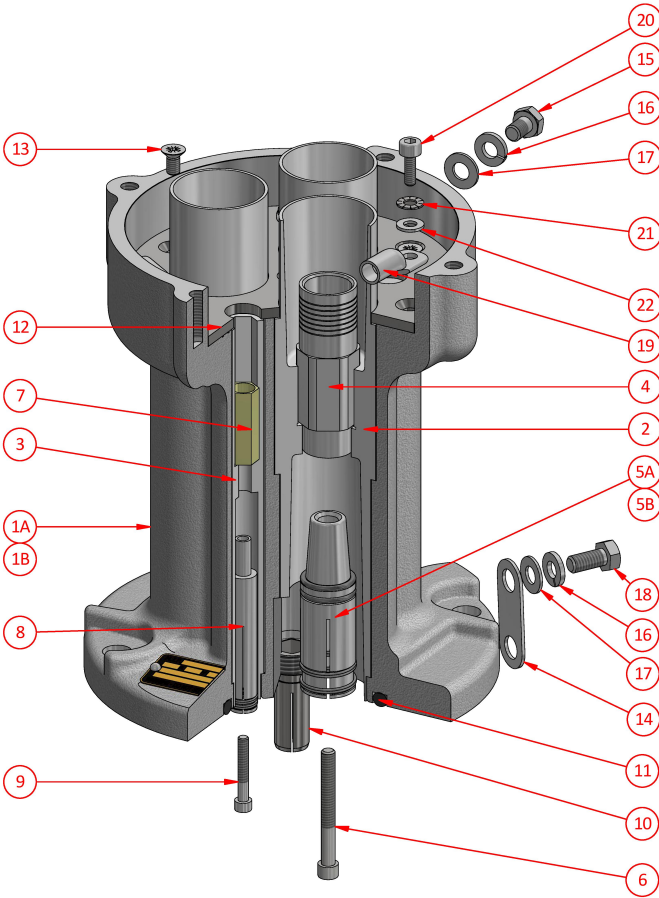
Phase Thimble - c/w screw AH009868 1/4" x 2 1/4" skt. head

Part Number	CSA	ID mm	Utilux Die No.
F-201-432	25	8.0	38-92 Cu
F-201-302	35	9.5	38-115 Cu
F-201-303	50	10.5	38-115 Cu
F-201-303-1	70	12.8	38-142 Cu
F-201-304-1	95	14.0	38-165 Cu
F-201-305-1	120	16.0	38-165 Cu
F-201-306-1	150	18.0	38-183 Cu
F-201-307-1	185	21.8	SOLDER ONLY
F-201-326-1	240	24.2	SOLDER ONLY
F-3641	300	26.3	40-281 Cu
F-3641-1	240	24.2	40-281 Cu
F-3641-2	185	21.2	38-231 Cu

NB: CSA is indicative only. Use ID for thimble selection

Spare Parts

#	Part Number	Description
1A	F-4707A-374	300A 6600V Coupler Body c/w items 1A, 10, 11, 12, 13, 14, 15, 16, 17 & 18
1B	F-4707A-474	425A 6600V Coupler Body c/w items 1B, 10, 11, 12, 13, 14, 15, 16, 17 & 18
2	MO4700	Phase Pin Insulator
3	MO4701	Pilot Socket Insulator
4	See Table 2	Phase Thimble
5A	F-201-299	300A Phase Socket c/w O-ring AI019013
5B	F-201-300-1	425A Phase Socket c/w O-ring AI019013
6	AH009868	Screw 1/4" x 2 1/4" skt. head
7	F-3727	Pilot Thimble c/w screw AH009834 3/16" x 1 1/4" skt. head
8	F-3042-1	Pilot Socket
9	AH009834	Screw 3/16" x 1 1/4" skt. head
10	4708	Earth Connector
11	AI018993	O-ring ID 113.67 x sect. 6.99
12	4699	Retaining Plate
13	AH151037	Screw M6 x 12 csk. head
14		Earth Strap
15	AH113091	Screw M8 x 10 hex. head
16	AH151071	Spring Washer M8
17	AH009277	Washer 5/16"
18	AH113097	Screw M8 x 16 hex. head
19	CCAL35-6	Earth Lug
20	AH115112	Screw M6 x 16 skt. head
21	AH152001	Serrated Washer M6
22	AH009273	Washer 1/4"



Weight 8.0kg
Dimensions L 200mm W 210mm H 280mm
Compliance Non Hazardous Area Only. Dimensions to AS/NZS1300
Materials Aluminium / PTFE
IP Rating IP66

CMi Head Office NSW | (02) 9807 6155 | F3, 3-29 Birnie Ave, Lidcombe, NSW, 2141 | nswsales@cmielectrical.com.au
CMi QLD-Brisbane (07) 3863 0749 485A Zillmere Road, Zillmere QLD 4034 southqldsales@cmielectrical.com.au
CMi QLD - Rockhampton (07) 4921 0978 Shop 3 at 76 Hollingsworth Street, North Rockhampton Qld 4701 northqldsales@cmielectrical.com.au

CMi VIC (03) 9532 1233 3 Dissik Street, Cheltenham VIC 3192 vicsales@cmielectrical.com.au

CMi WA (08) 9358 1788 36 Division Street, Welshpool WA 6106 wasales@cmielectrical.com.au