



TRS Cable Gland
 N-004-3

N Series Glands Aluminium

To suit Aluminium Series C Couplers

Ordering Procedure

- 1 Select complete Gland from Table 1
- 2 Select Grommet from Table 2

Table 1

Part Number	Description
N-004-3	TRS Cable Gland to suit 30.0-73.0mm O.D. Cable

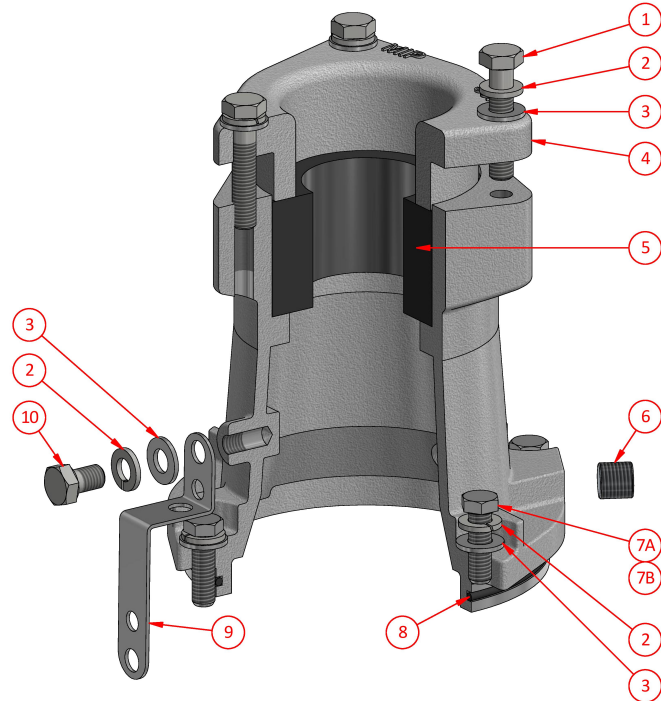
Table 2

Neoprene Grommets	
Part Number	Cable Acceptance mm
3054-35	30.0-35.0
3054-38	34.0-38.0
3054-41	37.0-41.0
3054-45	40.0-45.0
3054-47	44.0-47.0
3054-51	46.0-51.0
3054-54	50.0-54.0
3054-57	53.0-57.0
3054-60	56.0-60.0
3054-64	59.0-64.0
3054-67	63.0-67.0
3054-70	66.0-70.0
3054-73	69.0-73.0

Spare Parts

#	Part Number	Description
1	AH113116S	Screw M10 x 50 hex. head
2	AH151011	Spring Washer M10
3	AH150011	Washer M10
4	3576A	Clamping Cap
5	See Table 2	Neoprene Grommet
6	AH014441	Filler Plug
7A	AH006465	Screw 3/8" x 11/4" hex. head
7B	AH113115	Screw M10 x 40 hex. head
8	A1018990	O-ring ID 145.65 x sect.3.53
9	201-264-1	Earth Strap
10	AH113111	Screw M10 x 16 hex. head

Item 7A used on old A374SA & A474SA Couplers
 Item 7B used on new A374A & A474A Couplers



Weight 3.0kg
 Dimensions L 180mm W 180mm H 260mm
 Compliance Non Hazardous Area Only
 Materials Aluminium

CMI Head Office NSW | (02) 9807 6155 | F3, 3-29 Birnie Ave, Lidcombe, NSW, 2141 | nswsales@cmielectrical.com.au
CMI QLD-Brisbane
 (07) 3863 0749
 485A Zillmere Road,
 Zillmere QLD 4034
 southqldsales@cmielectrical.com.au

CMI QLD - Rockhampton
 (07) 4921 0978
 Shop 3 at 76 Hollingsworth Street,
 North Rockhampton Qld 4701
 northqldsales@cmielectrical.com.au

CMI VIC
 (03) 9532 1233
 3 Dissik Street,
 Cheltenham VIC 3192
 vicsales@cmielectrical.com.au

CMI WA
 (08) 9358 1788
 36 Division Street,
 Welshpool WA 6106
 wasales@cmielectrical.com.au