

TRS Cable Gland  
N-055

N Series Glands Aluminium

To suit Aluminium Series C Couplers

Ordering Procedure

- 1 Select complete Gland from Table 1
- 2 Select Grommet from Table 2

Table 1

Part Number	Description
N-055	TRS Cable Gland to suit 65.0-101.0mm O.D. Cable

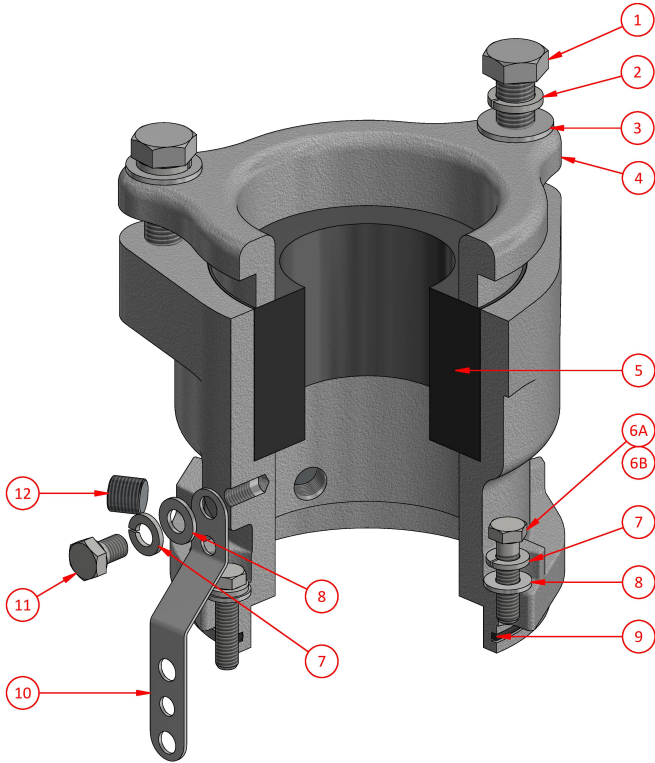
Table 2

Silicone Grommets	
Part Number	Cable Acceptance mm
4666-73S	65.0-73.0
4666-80S	72.0-80.0
4666-87S	79.0-87.0
4666-94S	86.0-94.0
4666-101S	93.0-101.0

Spare Parts

#	Part Number	Description
1	AH113154	Screw M16 x 60 hex. head
2	AH009377	Spring Washer 5/8"
3	AH009282	Washer M16
4	3225A	Clamping Cap
5	See Table 2	Silicone Grommet
6A	AH006475	Screw 3/8" x 11/2" hex. head
6B	AH113115	Screw M10 x 40 hex. head
7	AH151011	Spring Washer M10
8	AH150011	Washer M10
9	A1018990	O-ring ID 145.65 x sect.3.53
10	201-264-1	Earth Strap
11	AH113111	Screw M10 x 16 hex. head
12	AH014441	Filler Plug

Item 6A used on old A374SA & A474SA Couplers  
Item 6B used on new A374A & A474A Couplers



**Weight** 4kg  
**Dimensions** L 190mm W 190mm H 280mm  
**Compliance** Non Hazardous Area Only  
**Materials** Aluminium

**CMI Head Office NSW** | (02) 9807 6155 | F3, 3-29 Birnie Ave, Lidcombe, NSW, 2141 | nswsales@cmielectrical.com.au  
**CMI QLD-Brisbane** (07) 3863 0749 485A Zillmere Road, Zillmere QLD 4034 southqdsales@cmielectrical.com.au  
**CMI QLD - Rockhampton** (07) 4921 0978 Shop 3 at 76 Hollingsworth Street, North Rockhampton Qld 4701 northqdsales@cmielectrical.com.au

**CMI VIC** (03) 9532 1233 3 Dissik Street, Cheltenham VIC 3192 vicsales@cmielectrical.com.au

**CMI WA** (08) 9358 1788 36 Division Street, Welshpool WA 6106 wasales@cmielectrical.com.au