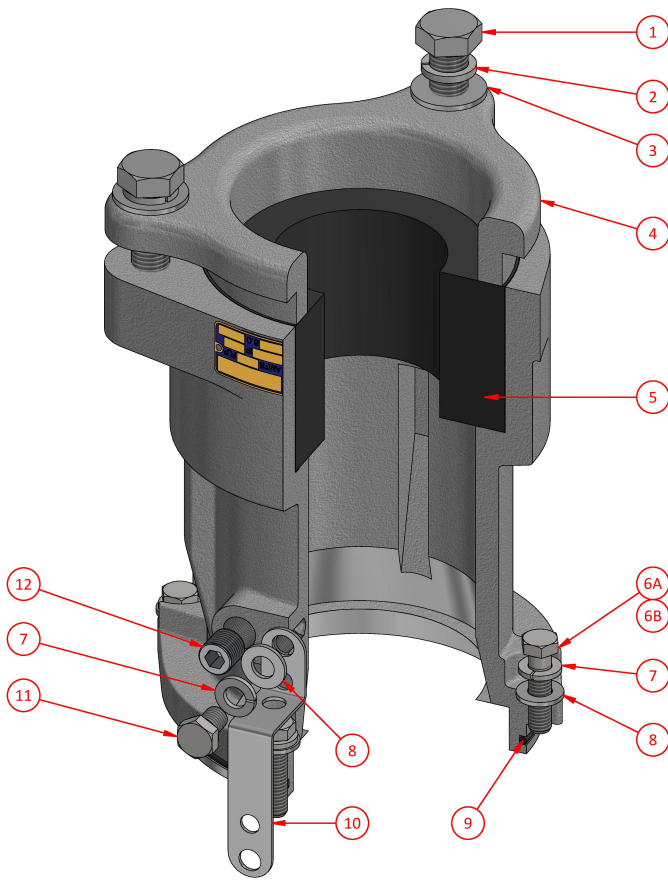


TRS Cable Gland  
N-040

N Series Glands Aluminium

To suit Aluminium Series C Couplers



Ordering Procedure

- 1 Select complete Gland from Table 1
- 2 Select Grommet from Table 2

Table 1

Part Number	Description
N-040	TRS Cable Gland to suit 65.0-101.0mm O.D. Cable

Table 2

Silicone Grommets	
Part Number	Cable Acceptance mm
4666-73S	65.0-73.0
4666-80S	72.0-80.0
4666-87S	79.0-87.0
4666-94S	86.0-94.0
4666-101S	93.0-101.0

Spare Parts

#	Part Number	Description
1	AH113154	Screw M16 x 60 hex. head
2	AH009377	Spring Washer 5/8"
3	AH009282	Washer M16
4	3225A	Clamping Cap
5	See Table 2	Silicone Grommet
6A		Screw 3/8" x 1 1/2" hex. head
6B	AH113115	Screw M10 x 40 hex. head
7	AH151011	Spring Washer M10
8	AH150011	Washer M10
9		O-ring ID 145.65 x sect. 3.53
10	201-264-1	Earth Strap
11	AH113111	Screw M10 x 16 hex. head
12	AH014441	Filler Plug

Item 6A used on old A374SA & A474SA Couplers  
Item 6B used on new A374A & A474A Couplers

**Weight** 5kg  
**Dimensions** L 190mm W 190mm H 280mm  
**Compliance** Non Hazardous Area Only  
**Materials** Aluminium

**CMI Head Office NSW** | (02) 9807 6155 | F3, 3-29 Birnie Ave, Lidcombe, NSW, 2141 | [nswsales@cmielectrical.com.au](mailto:nswsales@cmielectrical.com.au)  
**CMI QLD-Brisbane**  
(07) 3863 0749  
485A Zillmere Road,  
Zillmere QLD 4034  
[southqdsales@cmielectrical.com.au](mailto:southqdsales@cmielectrical.com.au)  
**CMI QLD - Rockhampton**  
(07) 4921 0978  
Shop 3 at 76 Hollingsworth Street,  
North Rockhampton Qld 4701  
[northqdsales@cmielectrical.com.au](mailto:northqdsales@cmielectrical.com.au)

**CMI VIC**  
(03) 9532 1233  
3 Dissik Street,  
Cheltenham VIC 3192  
[vicsales@cmielectrical.com.au](mailto:vicsales@cmielectrical.com.au)

**CMI WA**  
(08) 9358 1788  
36 Division Street,  
Welshpool WA 6106  
[wasaales@cmielectrical.com.au](mailto:wasaales@cmielectrical.com.au)