

Receptacle Quick Release Gland & Bracket
AV434BQR4

425 Amp Series

3300V

Ordering Procedure

- 1 Select complete Receptacle Gland & Bracket from Table 1
- 2 Select Phase Thimble from Table 2 (3 Required)
- 3 Select Grommet from Table 3

Table 1



| Part Number | Description | Colour |
|-------------|---|------------|
| AV434BQR4 | 3300V Restrained Receptacle Quick Release Gland & Bracket | Red/Silver |

NB: Receptacle Gland & Bracket supplied with Pilot Thimble

Table 2

Phase Thimble - c/w screw AH151026 & O-ring AI019017

| Part Number | CSA | ID mm | Utilux Die No. |
|-------------|-----|-------|----------------|
| F-4606-1 | 35 | 8.4 | 38-92 Cu |
| F-4606-2 | 50 | 9.5 | 38-104 Cu |
| F-4606-3 | 70 | 11.2 | 38-115 Cu |
| F-4606-4 | 95 | 13.4 | 38-142 Cu |
| F-4606-5 | 120 | 15.5 | 38-165 Cu |
| F-4606-6 | 150 | 16.3 | 38-183 Cu |
| F-4606-7 | 185 | 18.4 | 38-200 Cu |
| F-4606-8 | 185 | 21.0 | 38-210 Cu |

NB: CSA is indicative only. Use ID for thimble selection

Table 3

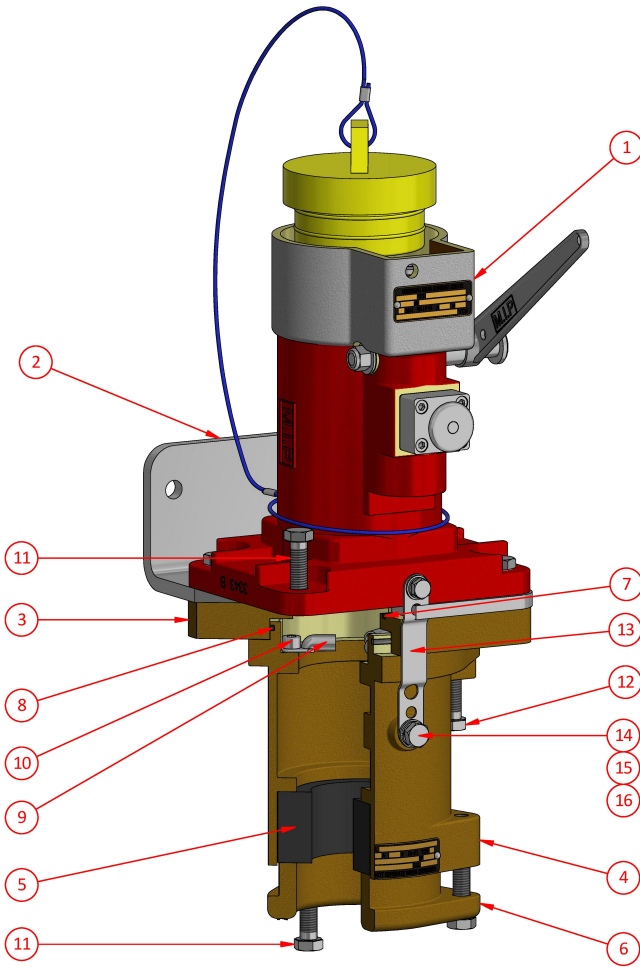
Neoprene Grommets

| Part Number | Cable Acceptance |
|-------------|------------------|
| 3394-58 | 53.0-58.0 |
| 3394-61 | 56.0-61.0 |
| 3394-63 | 59.0-63.0 |
| 3394-66 | 62.0-66.0 |
| 3394-69 | 65.0-69.0 |
| 3394-72 | 68.0-72.0 |
| 3394-75 | 71.0-75.0 |
| 3394-78 | 74.0-80.0 |
| 3394-81 | 77.0-81.0 |
| 3394-84 | 80.0-84.0 |
| 3394-87 | 83.0-87.0 |

Spare Parts

| # | Part Number | Description |
|----|-------------|---|
| 1 | AG434BQR | 3300V Restrained Receptacle Quick Release |
| 2 | AV3 | Mounting Bracket |
| 3 | | Spacer Plate c/w O-ring AI019042 |
| 4 | F-3393T | No.4 TRS Cable Gland to suit 53.0-87.0mm O.D. Cable |
| 5 | See Table 3 | Neoprene Grommet |
| 6 | 3399B | Clamping Cap |
| 7 | AI019042 | O-ring ID 101.19 x sect. 3.53 |
| 8 | AI019010 | O-ring ID 120.24 x sect. 3.53 |
| 9 | AH017206 | Earth Lug |
| 10 | AH115115 | Screw M6 x 10 button head |
| 11 | AH113135 | Screw M12 x 50 hex. head |
| 12 | AH113134 | Screw M12 x 35 hex. head |
| 13 | 201-264-1 | Earth Strap |
| 14 | AH113111 | Screw M10 x 16 hex. head |
| 15 | AH151011 | Spring Washer M10 |
| 16 | AH150011 | Washer M10 |

NB: See AG434BQR Page for Receptacle Spare Parts



Weight 36kg
Dimensions L 390mm W 340mm H 340mm
Compliance Explosion protected to AS/NZS1299 & IEC60079 Series
Materials Manganese Bronze / Brass / PTFE
IP Rating IP66/68