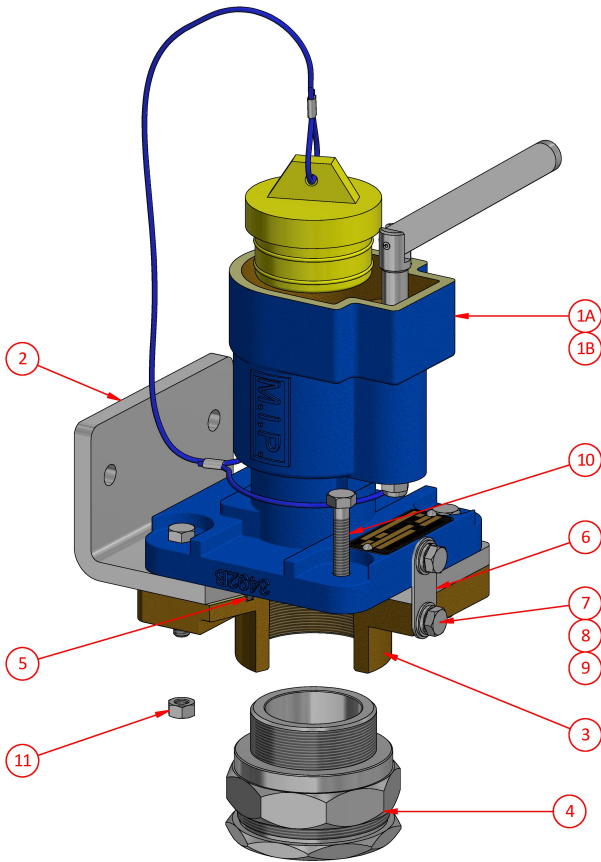




Receptacle Gland & Bracket
 AG664BRGB## - AG614BRGB##

60 Amp Series

660V - 1100V

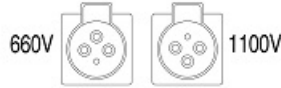


Weight 12kg
Dimensions L 210mm W 210mm H 310mm
Compliance Explosion protected to AS/NZS1299 & IEC60079 Series
Materials Manganese Bronze / Brass / PTFE
IP Rating IP66/68

Ordering Procedure

- 1 Select Complete Receptacle from Table 1
- 2 Select Phase Thimble from Table 2 (3 Required)
- 3 Select Gland from Table 3
- 4 Add Part No. from Table 1 and Table 3 together to get Part No. required

Table 1



Part Number	Description	Colour
AG664B	660V Restrained Receptacle	Orange
AG614B	1100V Restrained Receptacle	Blue

NB: Receptacle Gland & Bracket supplied with Pilot Thimble

Table 2

Phase Thimble			
Part Number	CSA	ID mm	Utilux Die No.
4570	2.5	3.0	38-44 Cu
4570-1	6	3.7	38-44 Cu
4570-2	10	4.7	38-57 Cu
4570-3	16	5.5	38-63 Cu

NB: CSA is indicative only. Use ID for final selection

Table 3

Gland	
Part Number	Cable Acceptance mm
RGB2	13.5-17.5
RGB2A	17.0-20.1
RGB3	19.5-23.8
RGB3A	22.5-27.0
RGB4	26.0-29.4
RGB4A	28.5-32.5
RGB5	31.0-36.5
RGB5A	35.0-40.5
RGB5B	39.5-43.8
RGB6	42.5-48.4
RGB6A	47.0-52.4
RGB6B	51.0-56.0

Spare Parts

#	Part Number	Description
1A	AG664B	660V Restrained Receptacle
1B	AG614B	1100V Restrained Receptacle
2	AV6	Mounting Bracket
3	F-4575 range	Gland Adaptor (See F-4575 Page)
4		See Cable Glands Catalogue
5	AI019006	O-ring ID 82.14 x sect. 3.53
6		Earth Strap
7	AH113091	Screw M8 x 10 hex. head
8	AH009363	Spring Washer 5/16"
9	AH009277	Washer 5/16"
10	AH113099	Screw M8 x 50 hex. head
11	AH120009	Nut M8

NB: See AG664B - AG614B Page for Receptacle Spare Parts

CMI Head Office NSW | (02) 9807 6155 | F3, 3-29 Birnie Ave, Lidcombe, NSW, 2141 | nswsales@cmielectrical.com.au
CMI QLD-Brisbane
 (07) 3863 0749
 485A Zillmere Road,
 Zillmere QLD 4034
 southqdsales@cmielectrical.com.au

CMI QLD - Rockhampton
 (07) 4921 0978
 Shop 3 at 76 Hollingsworth Street,
 North Rockhampton Qld 4701
 northqdsales@cmielectrical.com.au

CMI VIC
 (03) 9532 1233
 3 Dissik Street,
 Cheltenham VIC 3192
 vicsales@cmielectrical.com.au

CMI WA
 (08) 9358 1788
 36 Division Street,
 Welshpool WA 6106
 wasales@cmielectrical.com.au