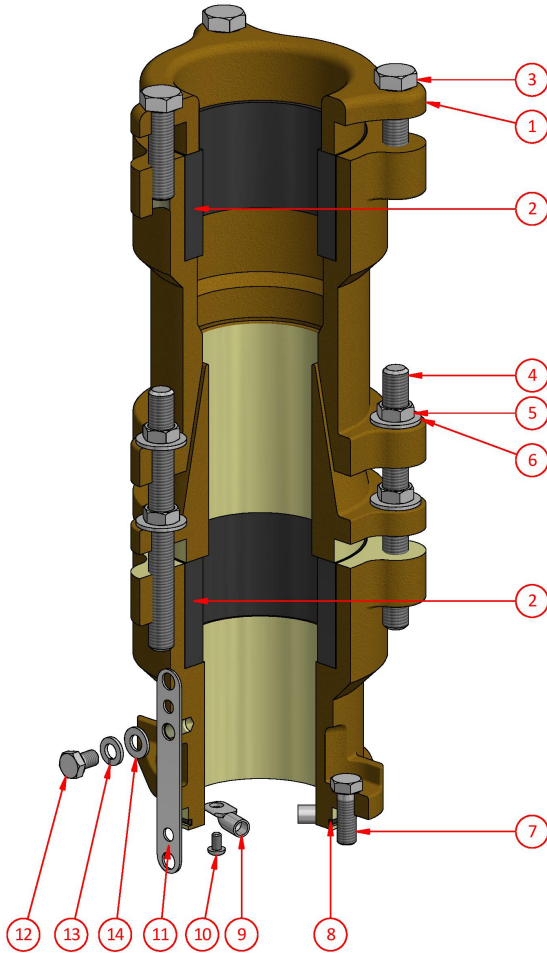




Armoured Cable Gland
 F-3222A

No.2 to No.5 Glands

To suit Series B, C & D Couplers



Ordering Procedure

- 1 Select complete Gland from Table 1
- 2 Select Grommet from Table 2 (2 Required) Select a grommet for both inner & outer sheath diameters

Table 1

Part Number	Description
F-3222A	No.5 Armoured Cable Gland to suit Max. 101.0mm O.D. cable with 65.0-98.0 U.A.

Table 2

Silicone Grommets	
Part Number	Cable Acceptance mm
4666-73S	65.0-73.0
4666-80S	72.0-80.0
4666-87S	79.0-87.0
4666-94S	86.0-94.0
4666-101S	93.0-101.0

Spare Parts

#	Part Number	Description
1	3225B	Clamping Cap
2	See Table 2	Silicone Grommet
3	AH113154	Screw M16 x 60 hex. head
4	3227-1	Stud M16
5	AH120015	Nut M16
6	AH009282	Washer M16
7	AH113134	Screw M12 x 35 hex. head
8	AI019010	O-ring ID 120.24 x sect. 3.53
9	AH017206	Earth Lug
10	AH115115	Screw M6 x 10 button head
11	201-264-1	Earth Strap
12	AH113111	Screw M10 x 16 hex. head
13	AH151011	Spring Washer M10
14	AH150011	Washer M10

Weight 32kg
 Dimensions L 200mm W 210mm H 280mm
 Compliance Explosion protected to IEC60079 Series
 Materials Manganese Bronze
 IP Rating IP66/68

CMI Head Office NSW | (02) 9807 6155 | F3, 3-29 Birnie Ave, Lidcombe, NSW, 2141 | nswsales@cmielectrical.com.au
CMI QLD - Brisbane
 (07) 3863 0749
 485A Zillmere Road,
 Zillmere QLD 4034
southqldsales@cmielectrical.com.au

CMI QLD - Rockhampton
 (07) 4921 0978
 Shop 3 at 76 Hollingsworth Street,
 North Rockhampton Qld 4701
northqldsales@cmielectrical.com.au

CMI VIC
 (03) 9532 1233
 3 Dissik Street,
 Cheltenham VIC 3192
vicsales@cmielectrical.com.au

CMI WA
 (08) 9358 1788
 36 Division Street,
 Welshpool WA 6106
wasaless@cmielectrical.com.au