



TRS Cable Gland  
F-3393T

No.2 to No.5 Glands

To suit Series B, C & D Couplers

Ordering Procedure

- 1 Select complete Gland from Table 1
- 2 Select Grommet from Table 2

Table 1

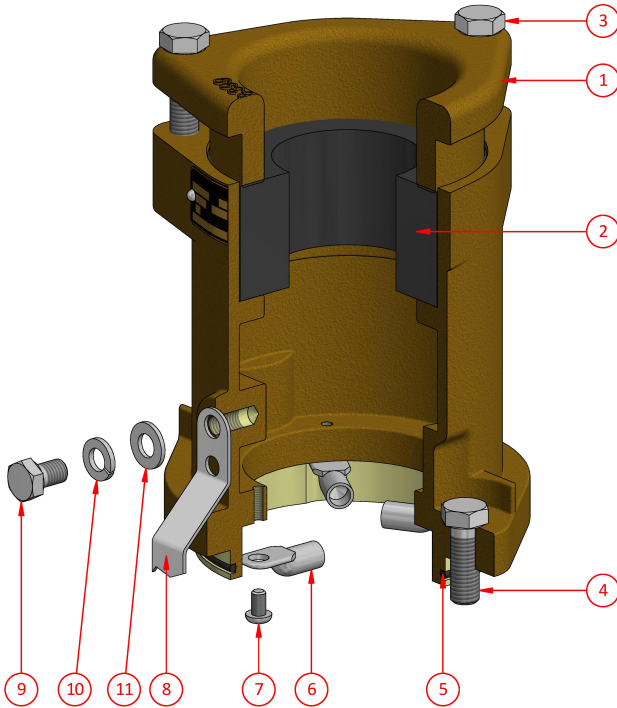
Part Number	Description
F-3393T	No.4 TRS Cable Gland to suit 53.0-87.0mm O.D. Cable

Table 2

Neoprene Grommets	
Part Number	Cable Acceptance mm
3394-58	53.0-58.0
3394-61	56.0-61.0
3394-63	59.0-63.0
3394-66	62.0-66.0
3394-69	65.0-69.0
3394-72	68.0-72.0
3394-75	71.0-75.0
3394-78	74.0-78.0
3394-81	77.0-81.0
3394-84	80.0-84.0
3394-87	83.0-87.0

Spare Parts

#	Part Number	Description
1	3399B	Clamping Cap
2	See Table 2	Neoprene Grommet
3	AH113135	Screw M12 x 50 hex. head
4	AH113134	Screw M12 x 35 hex. head
5	AI019010	O-ring ID 120.24 x sect. 3.53
6	AH017206	Earth Lug
7	AH115115	Screw M6 x 10 button head
8	201-264-1	Earth Strap
9	AH113111	Screw M10 x 16 hex. head
10	AH151011	Spring Washer M10
11	AH150011	Washer M10



Weight 8.5kg  
 Dimensions L 170mm W 170mm H 230mm  
 Compliance Explosion protected to IEC60079 Series  
 Materials Manganese Bronze  
 IP Rating IP66/68

**CMI Head Office NSW** | (02) 9807 6155 | F3, 3-29 Birnie Ave, Lidcombe, NSW, 2141 | [nswsales@cmielectrical.com.au](mailto:nswsales@cmielectrical.com.au)  
**CMI QLD-Brisbane**  
 (07) 3863 0749  
 485A Zillmere Road,  
 Zillmere QLD 4034  
[southqldsales@cmielectrical.com.au](mailto:southqldsales@cmielectrical.com.au)

**CMI QLD - Rockhampton**  
 (07) 4921 0978  
 Shop 3 at 76 Hollingsworth Street,  
 North Rockhampton Qld 4701  
[northqldsales@cmielectrical.com.au](mailto:northqldsales@cmielectrical.com.au)

**CMI VIC**  
 (03) 9532 1233  
 3 Dissik Street,  
 Cheltenham VIC 3192  
[vic-sales@cmielectrical.com.au](mailto:vic-sales@cmielectrical.com.au)

**CMI WA**  
 (08) 9358 1788  
 36 Division Street,  
 Welshpool WA 6106  
[walesales@cmielectrical.com.au](mailto:walesales@cmielectrical.com.au)