



TRS Cable Gland
F-4088T

No.2 to No.5 Glands

To suit Series B, C & D Couplers

Ordering Procedure

- 1 Select complete Gland from Table 1
- 2 Select Grommet from Table 2

Table 1

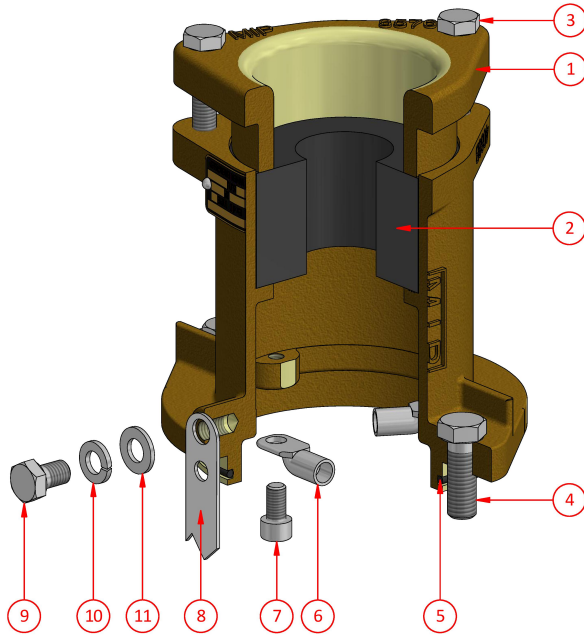
Part Number	Description
F-4088T	No. 3 TRS Cable Gland to suit 22.0-76.0mm O.D. Cable

Table 2

Neoprene Grommets	
Part Number	Cable Acceptance mm
3054-25	22.0-25.0
3054-31	24.0-31.0
3054-35	30.0-35.0
3054-38	34.0-38.0
3054-41	37.0-41.0
3054-45	40.0-45.0
3054-47	44.0-47.0
3054-51	46.0-51.0
3054-54	50.0-54.0
3054-57	53.0-57.0
3054-60	56.0-60.0
3054-64	59.0-64.0
3054-67	63.0-67.0
3054-70	66.0-70.0
3054-73	69.0-73.0
3054-76	72.0-76.0

Spare Parts

#	Part Number	Description
1	3576B	Clamping Cap
2	See Table 2	Neoprene Grommet
3	AH113116S	Screw M10 x 50 hex. head
4	AH113134	Screw M12 x 35 hex. head
5	A1019010	O-ring ID 120.24 x sect. 3.53
6	AH017206	Earth Lug
7	AH115093	Screw M8 x 15 skt. head
8	201-264-1	Earth Strap
9	AH113111	Screw M10 x 16 hex. head
10	AH151011	Spring Washer M10
11	AH150011	Washer M10



Weight 7.5kg
 Dimensions L 170mm W 170mm H 230mm
 Compliance Explosion protected to IEC60079 Series
 Materials Manganese Bronze
 IP Rating IP66/68

CMi Head Office NSW | (02) 9807 6155 | F3, 3-29 Birnie Ave, Lidcombe, NSW, 2141 | nswsales@cmielectrical.com.au
 CMi QLD-Brisbane (07) 3863 0749 485A Zillmere Road, Zillmere QLD 4034 southqdsales@cmielectrical.com.au
 CMi QLD - Rockhampton (07) 4921 0978 Shop 3 at 76 Hollingsworth Street, North Rockhampton Qld 4701 northqdsales@cmielectrical.com.au

CMi VIC (03) 9532 1233 3 Dissik Street, Cheltenham VIC 3192 vicisales@cmielectrical.com.au

CMi WA (08) 9358 1788 36 Division Street, Welshpool WA 6106 waisales@cmielectrical.com.au