

Receptacle Quick Release
AG434BQR

425 Amp Series

3300V

Ordering Procedure

- 1
- 2
- 3

Select complete Receptacle from Table 1

Select Phase Thimble from Table 2 (3 Required)

Add Part No. from Table 1 & Options Table together to get Part No. required (See examples shown under the Options Table)

Table 1



Part Number	Description	Colour
AG434BQR	3300V Restrained Receptacle Quick Release	Red/Silver

NB: Receptacle supplied with Pilot Thimble. Key lock as shown is not supplied.

Table 2

Phase Thimble - c/w screw AH151026 & O-ring AI019017

Part Number	CSA	ID mm	Utilux Die No.
F-4606-1	35	8.4	38-92 Cu
F-4606-2	50	9.5	38-104 Cu
F-4606-3	70	11.2	38-115 Cu
F-4606-4	95	13.4	38-142 Cu
F-4606-5	120	15.5	38-165 Cu
F-4606-6	150	16.3	38-183 Cu
F-4606-7	185	18.4	38-200 Cu
F-4606-8	185	21.0	38-210 Cu

NB: CSA is indicative only. Use ID for thimble selection

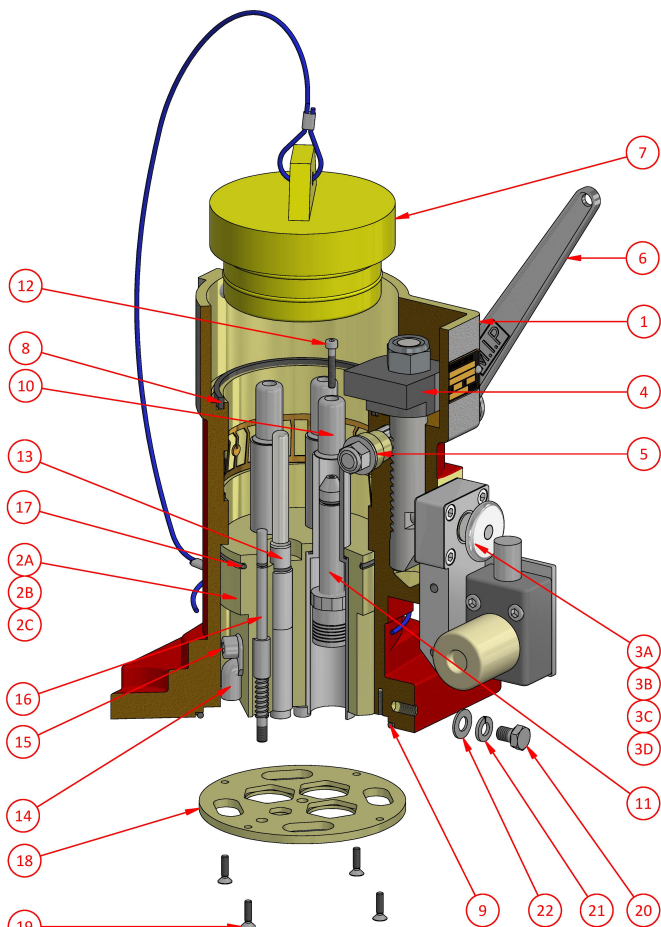
Options

Part Number	Description
A	Actuator
F	Bracket for Front Key Operated Locking Mechanism
S	Bracket for Side Key Operated Locking Mechanism
L	Lockable Hasp

Examples: AG434BQRA, AG434BQRF, AG434BQRL, AG434BQRAF, AG434BQRAL

Spare Parts

#	Part Number	Description
1		3300V Receptacle Body c/w items 1, 3A, 4, 5, 6, 8, 9, 22, 22 & 23
2A	F-4602-1	Interior c/w O-ring, Earth Lugs, Retaining Plate & Screws
2B	F-4602-1A	Interior c/w O-ring, Actuator, Earth Lugs, Retaining Plate & Screws
2C	F-4602-1KIT(300-425A-4PIN)	Interior Service Kit c/w O-rings, Insulators, Pilot Pin Assy, Retaining Plate & Screws
3A	F-459	Q/R Locking Mechanism c/w screws AH009860 1/4" x 1" skt. head
3B	F-459F	Q/R Locking Mechanism c/w Mounting Bracket (front key operated) & screws AH009860 1/4" x 1" skt. head
3C	F-459S	Q/R Locking Mechanism c/w Mounting Bracket (side key operated) & screws AH009860 1/4" x 1" skt. head
3D	F-459L	Q/R Locking Mechanism c/w Lockable Hasp & AH009860 1/4" x 1" skt. head
4	F-460	Q/R Rack
5	F-482	Q/R Pinion c/w Handle
6	4285	Q/R Handle
7	F-311	Sealing Plug
8	4401-3	Seal
9	AI019010	O-ring ID 120.24 x sect. 3.53
10		Phase Pin
11	See Table 2	Phase Thimble
12	AH151026	Screw M4 x 25 skt. head
13	F-853-3	Pilot Pin & Thimble Assembly c/w Insulator & O-ring
14	AH017206	Earth Lug
15	AH151027	Screw M8 x 12 skt. head
16	F-4618	Actuator c/w O-ring AI019051 & Spring 4619
17	AI019048	O-ring ID 94.92 x sect. 2.62
18	4612	Interior Retaining Plate
19	AH151022	Screw M4 x 16 csk. head
20	AH113091	Screw M8 x 10 hex. head
21	AH009363	Spring Washer 5/16"
22	AH009277	Washer 5/16"



Receptacle shown fitted with "Optional" Side Key Operated Locking Mechanism & Actuator

Weight 20kg
 Dimensions L 220mm W 220mm H 330mm
 Compliance Explosion protected to AS/NZS1299 & IEC60079 Series
 Materials Manganese Bronze / Brass / PTFE
 IP Rating IP66/68