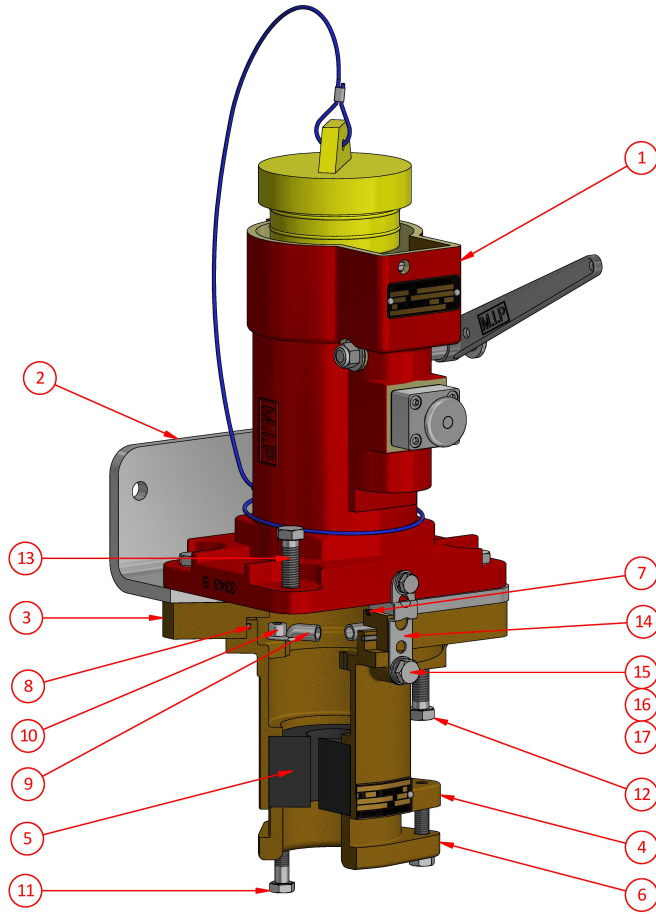


Receptacle Quick Release Gland & Bracket
AV334BQR3

300 Amp Series

3300V



Weight
Dimensions
Compliance
Materials
IP Rating

34kg
L 390mm W 340mm H 340mm
Explosion protected to AS/NZS1299 & IEC60079 Series
Manganese Bronze / Brass / PTFE
IP66/68

Ordering Procedure

- 1 Select complete Receptacle Gland & Bracket from Table 1
- 2 Select Phase Thimble from Table 2 (3 Required)
- 3 Select Grommet from Table 3

Table 1



| Part Number | Description | Colour |
|-------------|---|--------|
| AV334BQR3 | 3300V Restrained Receptacle Quick Release Gland & Bracket | Red |

NB: Receptacle Gland & Bracket supplied with Pilot Thimble

Table 2

Phase Thimble - c/w screw AH151026 & O-ring AI019017

| Part Number | CSA | ID mm | Utilux Die No. |
|-------------|-----|-------|----------------|
| F-4606-1 | 35 | 8.4 | 38-92 Cu |
| F-4606-2 | 50 | 9.5 | 38-104 Cu |
| F-4606-3 | 70 | 11.2 | 38-115 Cu |
| F-4606-4 | 95 | 13.4 | 38-142 Cu |
| F-4606-5 | 120 | 15.5 | 38-165 Cu |
| F-4606-6 | 150 | 16.3 | 38-183 Cu |
| F-4606-7 | 185 | 18.4 | 38-200 Cu |
| F-4606-8 | 185 | 21.0 | 38-210 Cu |

NB: CSA is indicative only. Use ID for thimble selection

Table 3

Neoprene Grommets

| Part Number | Cable Acceptance mm |
|-------------|---------------------|
| 3054-25 | 22.0-25.0 |
| 3054-31 | 24.0-31.0 |
| 3054-35 | 30.0-35.0 |
| 3054-38 | 34.0-38.0 |
| 3054-41 | 37.0-41.0 |
| 3054-45 | 40.0-45.0 |
| 3054-47 | 44.0-47.0 |
| 3054-51 | 46.0-51.0 |
| 3054-54 | 50.0-54.0 |
| 3054-57 | 53.0-57.0 |
| 3054-60 | 56.0-60.0 |
| 3054-64 | 59.0-64.0 |
| 3054-67 | 63.0-67.0 |
| 3054-70 | 66.0-70.0 |
| 3054-73 | 69.0-73.0 |
| 3054-76 | 72.0-76.0 |

Spare Parts

| # | Part Number | Description |
|----|-------------|--|
| 1 | AG334BQR | 3300V Restrained Receptacle Quick Release |
| 2 | AV3 | Mounting Bracket |
| 3 | | Spacer Plate c/w O-ring AI019042 |
| 4 | F-4088T | No. 3 TRS Cable Gland to suit 22.0-76.0mm O.D. Cable |
| 5 | See Table 3 | Neoprene Grommet |
| 6 | 3576B | Clamping Cap |
| 7 | AI019042 | O-ring ID 101.19 x sect. 3.53 |
| 8 | AI019010 | O-ring ID 120.24 x sect. 3.53 |
| 9 | AH017206 | Earth Lug |
| 10 | AH115093 | Screw M8 x 15 skt. head |
| 11 | AH113116S | Screw M10 x 50 hex. head |
| 12 | AH113134 | Screw M12 x 35 hex. head |
| 13 | AH113135 | Screw M12 x 50 hex. head |
| 14 | 201-264-1 | Earth Strap |
| 15 | AH113111 | Screw M10 x 16 hex. head |
| 16 | AH151011 | Spring Washer M10 |
| 17 | AH150011 | Washer M10 |

NB: See AG334BQR Page for Receptacle Spare Parts