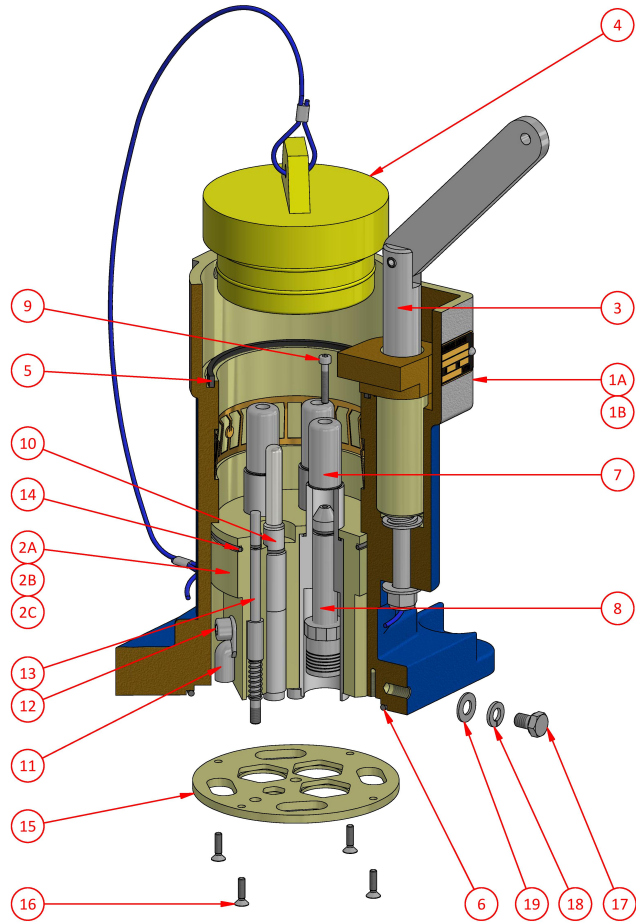




Receptacle
AG464B - AG414B

425 Amp Series
660V - 1100V



Receptacle shown fitted with "Optional" Actuator

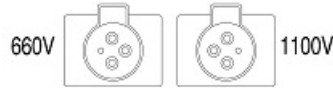
Weight 19kg
Dimensions L 220mm W 220mm H 330mm
Compliance Explosion protected to AS/NZS1299 & IEC60079 Series
Materials Manganese Bronze / Brass / PTFE
IP Rating IP66/68

Ordering Procedure

- 1
- 2
- 3

Select complete Receptacle from Table 1
Select Phase Thimble from Table 2 (3 Required)
Add Part No. from Table 1 & Options Table together to get Part No. required if an Actuator is needed

Table 1



Part Number	Description	Colour
AG464B	660V Restrained Receptacle	Orange
AG414B	1100V Restrained Receptacle	Blue

NB: Receptacle supplied with Pilot Thimble.

Table 2

Phase Thimble - c/w screw AH151026 & O-ring AI019017

Part Number	CSA	ID mm	Utilux Die No.
F-4606-1	35	8.4	38-92 Cu
F-4606-2	50	9.5	38-104 Cu
F-4606-3	70	11.2	38-115 Cu
F-4606-4	95	13.4	38-142 Cu
F-4606-5	120	15.5	38-165 Cu
F-4606-6	150	16.3	38-183 Cu
F-4606-7	185	18.4	38-200 Cu
F-4606-8	185	21.0	38-210 Cu

NB: CSA is indicative only. Use ID for thimble selection

Options

Part Number	Description
A	Actuator

Examples: AG464BA

Spare Parts

#	Part Number	Description
1A		660V Receptacle Body c/w items 1A, 3, 5, 6, 18, 19 & 20
1B		1100V Receptacle Body c/w items 1B, 3, 5, 6, 18, 19 & 20
2A	F-4602	Interior c/w O-ring, Earth Lugs, Retaining Plate & Screws
2B	F-4602A	Interior c/w O-ring, Actuator, Earth Lugs, Retaining Plate & Screws
2C	F-4602KIT(425A-4PIN)	Interior Service Kit c/w O-rings, Insulators, Pilot Pin Assy, Retaining Plate & Screws
3	3401B	Jacking Screw
4	F-311	Sealing Plug
5	4401-3	Seal
6	AI019010	O-ring ID 120.24 x sect. 3.53
7		Phase Pin
8	See Table 2	Phase Thimble
9	AH151026	Screw M4 x 25 skt. head
10	F-853-2	Pilot Pin & Thimble Assembly c/w Insulator & O-ring
11	AH017206	Earth Lug
12	AH151027	Screw M8 x 12 skt. head
13	F-4618	Actuator c/w O-ring AI019051 & Spring 4619
14	AI019048	O-ring ID 94.92 x sect. 2.62
15	4612	Interior Retaining Plate
16	AH151022	Screw M4 x 16 csk. head
17	AH113091	Screw M8 x 10 hex. head
18	AH009363	Spring Washer 5/16"
19	AH009277	Washer 5/16"