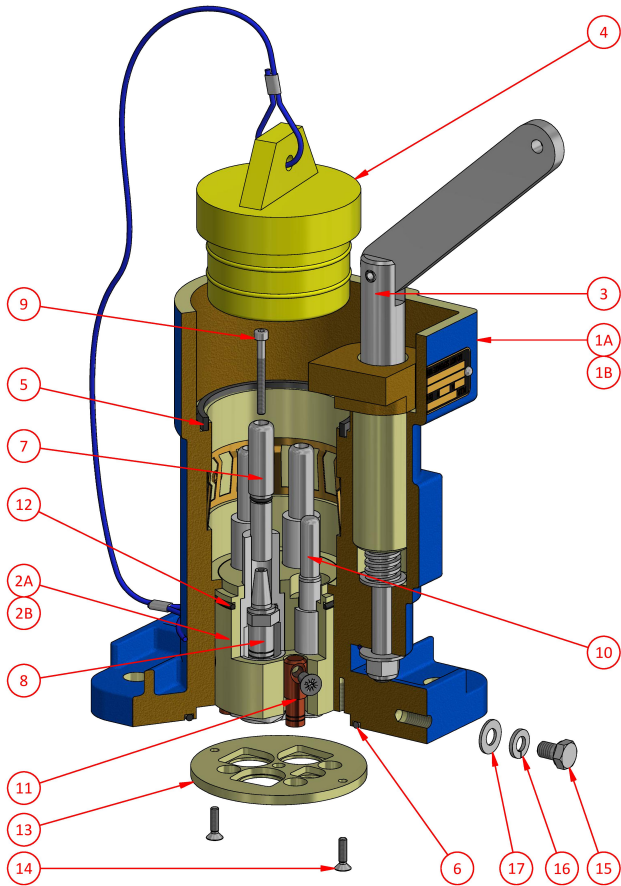




Receptacle  
AG164B - AG114B

150 Amp Series  
660V - 1100V

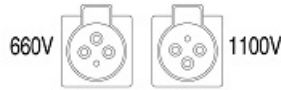


Weight 13kg  
Dimensions L 180mm W 140mm H 320mm  
Compliance Explosion protected to AS/NZS1299 & IEC60079 Series  
Materials Manganese Bronze / Brass / PTFE  
IP Rating IP66/68

Ordering Procedure

- 1 Select complete Receptacle from Table 1
- 2 Select Phase Thimble from Table 2 (3 Required)

Table 1



Part Number	Description	Colour
AG164B	660V Restrained Receptacle	Orange
AG114B	1100V Restrained Receptacle	Blue

NB: Receptacle supplied with Pilot Thimble

Table 2

Phase Thimble - c/w screw AH151021 M4 x 40 skt. head

Part Number	CSA	ID mm	Utilux Die No.
F-4626	6	3.7	38-44 Cu
F-4626-0	16	5.5	38-63 Cu
F-4626-1	25	7.1	38-77 Cu
F-4626-2	35	8.4	38-92 Cu
F-4626-3	50	9.5	38-104 Cu
F-4626-4	70	11.2	38-115 Cu
F-4626-5	95	13.4	38-142 Cu

NB: CSA is indicative only. Use ID for final selection

Options

Earth Thimble - c/w screw AH151037 M6 x 12 csk. head

Part Number	Cable Acceptance mm	ID mm	Utilux Die No.
F-4648S	10	4.7	38-57 Cu
F-4648-1S	16	5.5	38-63 Cu
F-4648-2S	25	7.1	38-77 Cu
F-4648-3S	35	8.4	38-92 Cu
F-4648-4S	50	10.0	Solder Only

NB: F-4648-2S supplied with Receptacle

Spare Parts

#	Part Number	Description
1A		660V Receptacle Body c/w items 1A, 3, 5, 6, 16, 17 & 18
1B		1100V Receptacle Body c/w items 1B, 3, 5, 6, 16, 17 & 18
2A	F-4621	Interior c/w O-Ring, Earth Thimble, Retaining Plate & Screws
2B	F-4621KIT	Interior Service Kit c/w O-Rings, Insulators, Pilot Pin Assy, Retaining Plate & Screws
3	3401B	Jacking Screw
4	F-310	Sealing Plug
5	4401-2	Seal
6	AI019011	O-ring ID 91.67 x sect. 3.53
7	F-4623	Phase Pin c/w O-ring AI019001
8	See Table 2	Phase Thimble
9	AH151021	Screw M4 x 40 skt. head
10	F-854	Pilot Pin & Thimble Assembly c/w Insulator
11	F-4648-2S	Earth Thimble c/w screw AH151037 M6 x 12 csk. head
12	AI019003	O-ring ID 63.17 x sect. 2.62
13	4628	Interior Retaining Plate
14	AH151022	Screw M4 x 16 csk. head
15	AH113091	Screw M8 x 10 hex. head
16	AH009363	Spring Washer 5/16"
17	AH009277	Washer 5/16"

CMI Head Office NSW | (02) 9807 6155 | F3, 3-29 Birnie Ave, Lidcombe, NSW, 2141 | nswsales@cmielectrical.com.au  
CMI QLD-Brisbane (07) 3863 0749 485A Zillmere Road, Zillmere QLD 4034 southqdsales@cmielectrical.com.au  
CMI QLD - Rockhampton (07) 4921 0978 Shop 3 at 76 Hollingsworth Street, North Rockhampton Qld 4701 northqdsales@cmielectrical.com.au

CMI VIC (03) 9532 1233 3 Dissik Street, Cheltenham VIC 3192 vicsales@cmielectrical.com.au

CMI WA (08) 9358 1788 36 Division Street, Welshpool WA 6106 wasales@cmielectrical.com.au