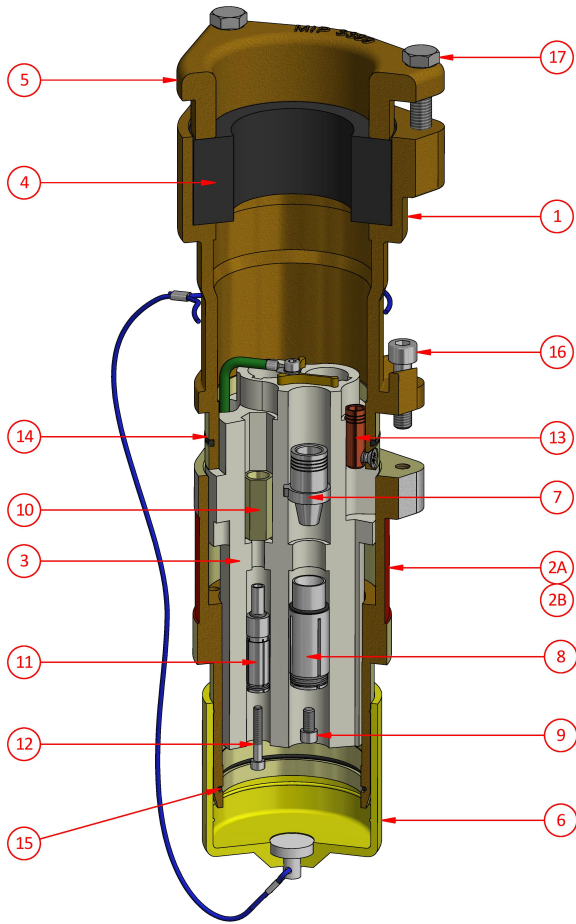


Restrained Plug Large Gland
AF434S4 - AF434SS4

425 Amp Series

3300V



Weight
Dimensions
Compliance
Materials
IP Rating

14kg
L 150mm W 150mm H 430mm
Explosion protected to AS/NZS1299 & IEC60079 Series
Manganese Bronze / Polyester / Stainless Steel
IP66/68

Ordering Procedure

- 1 Select complete Plug from Table 1
- 2 Select Phase Thimble from Table 2 (3 Required)
- 3 Select Grommet from Table 3

Table 1



Part Number	Description	Colour
AF434S4	3300V Restrained Plug	Red/Silver
AF434SS4	3300V Restrained Plug (Stainless steel nose cone)	Red/Silver

NB: Plug supplied with Pilot Thimble

Table 2

Phase Thimble - c/w screw AH009857 1/4" x 1/2" skt. head

Part Number	CSA	ID mm	Utilux Die No.
F-3962-1	35	10.0	38-115 Cu
F-3962-2	50	11.0	38-115 Cu
F-3962-3	70	13.5	38-142 Cu
F-3962-4	95	14.5	38-165 Cu
F-3962-5	120	16.6	38-165 Cu
F-3962-6	150	18.0	38-183 Cu
F-3962-7	185	20.7	Solder Only

NB: CSA is indicative only. Use ID for thimble selection

Table 3

Neoprene Grommet

Part Number	Cable Acceptance mm
3394-58	53.0-58.0
3394-61	56.0-61.0
3394-63	59.0-63.0
3394-66	62.0-66.0
3394-69	65.0-69.0
3394-72	68.0-72.0
3394-75	71.0-75.0
3394-78	74.0-78.0
3394-81	77.0-81.0
3394-84	80.0-84.0
3394-87	83.0-87.0

Options

Earth Thimble - c/w screw AH151028 M6 x 16 csk. head

Part Number	Cable Acceptance mm	ID mm	Utilux Die No.
F-4648	10	4.7	38-57 Cu
F-4648-1	16	5.5	38-63 Cu
F-4648-2	25	7.1	38-77 Cu
F-4648-3	35	8.4	38-92 Cu

NB: F-4648-3 supplied with Plug

Spare Parts

#	Part Number	Description
1	F-4246-434	3300V Large Gland Body c/w items 1, 5, 14, 16 & 17
2A	F-3342-434	3300V Nose Cone c/w O-ring AI019023
2B	F-3342-434SS	3300V Nose Cone Stainless Steel c/w O-ring AI019023
3	F-3960	Interior c/w Earth Lead, Screw and Washer
4	See Table 3	Neoprene Grommet
5	3399B	Clamping Cap
6	F-264L	Protection Cap
7	See Table 2	Phase Thimble
8	F-4245	Phase Socket c/w O-ring AI019032
9	AH009857	Screw 1/4" x 1/2" skt. head
10	F-3984	Pilot Thimble c/w screw AH009834 3/16" x 1 1/4" skt. head
11	F-3138-2	Pilot Socket c/w O-ring AI019030
12	AH009834	Screw 3/16" x 1 1/4" skt. head
13	F-4648-3	Earth Thimble c/w screw AH151028 M6 x 16 csk. head
14	AI019011	O-ring ID 91.67 x sect. 3.53

#	Part Number	Description
15	A1019023	O-ring ID 82.22 x sect. 2.62
16	AH117113	Screw M10 x 40 skt. head
17	AH113135	Screw M12 x 50 hex. head

CMI Head Office NSW | (02) 9807 6155 | F3, 3-29 Birnie Ave, Lidcombe, NSW, 2141 | nswsales@cmielectrical.com.au
CMI QLD-Brisbane
(07) 3863 0749
485A Zillmere Road,
Zillmere QLD 4034
southqldsales@cmielectrical.com.au

CMI QLD – Rockhampton
(07) 4921 0978
Shop 3 at 76 Hollingsworth Street,
North Rockhampton Qld 4701
northqldsales@cmielectrical.com.au

CMI VIC
(03) 9532 1233
3 Dissik Street,
Cheltenham VIC 3192
vic-sales@cmielectrical.com.au

CMI WA
(08) 9358 1788
36 Division Street,
Welshpool WA 6106
wasales@cmielectrical.com.au