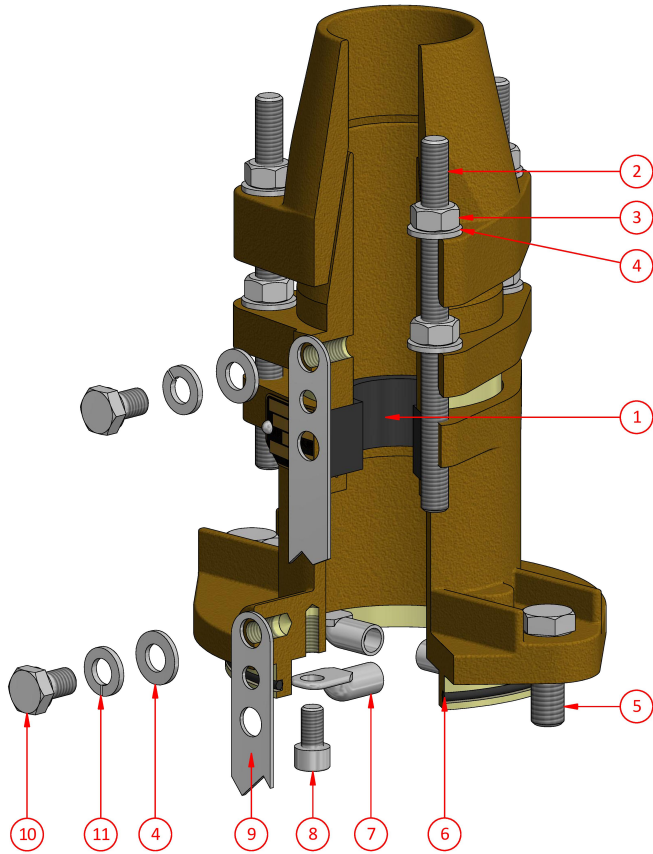




Armoured Cable Gland  
F-4087A

No.2 to No.5 Glands

To suit Series B, C & D Couplers



**Weight** 8.5kg  
**Dimensions** L 200mm W 210mm H 280mm  
**Compliance** Explosion protected to IEC60079 Series  
**Materials** Manganese Bronze  
**IP Rating** IP66/68

**CMi Head Office NSW** | (02) 9807 6155 | F3, 3-29 Birnie Ave, Lidcombe, NSW, 2141 | [nswsales@cmielectrical.com.au](mailto:nswsales@cmielectrical.com.au)  
**CMi QLD-Brisbane**  
(07) 3863 0749  
485A Zillmere Road,  
Zillmere QLD 4034  
[southqdsales@cmielectrical.com.au](mailto:southqdsales@cmielectrical.com.au)

**CMi QLD - Rockhampton**  
(07) 4921 0978  
Shop 3 at 76 Hollingsworth Street,  
North Rockhampton Qld 4701  
[northqdsales@cmielectrical.com.au](mailto:northqdsales@cmielectrical.com.au)

Ordering Procedure

- 1 Select complete Gland from Table 1
- 2 Select Grommet from Table 2

Table 1

Part Number	Description
F-4087A	No.2 Armoured Cable Gland to suit Max. 54.0mm O.D. cable with 21.0-48.0 U.A.

Table 2

Neoprene Grommets	
Part Number	Cable Acceptance mm
3137-25	21.0-25.0
3137-28	24.0-28.0
3137-32	27.0-32.0
3137-35	31.0-35.0
3137-38	34.0-38.0
3137-41	37.0-41.0
3137-44	40.0-44.0
3137-48	43.0-48.0
3137-51	47.0-51.0
3137-54	50.0-54.0

Spare Parts

#	Part Number	Description
1	See Table 2	Neoprene Grommet
2	3385	Stud M10
3	AH120011	Nut M10
4	AH150011	Washer M10
5	AH113134	Screw M12 x 35 hex. head
6	AI019010	O-ring ID 120.24 x sect. 3.53
7	AH017206	Earth Lug
8	AH115111	Screw M8 x 12 skt. head
9	201-264-1	Earth Strap
10	AH113111	Screw M10 x 16 hex. head
11	AH151011	Spring Washer M10

**CMi VIC**  
(03) 9532 1233  
3 Dissik Street,  
Cheltenham VIC 3192  
[vicsales@cmielectrical.com.au](mailto:vicsales@cmielectrical.com.au)

**CMi WA**  
(08) 9358 1788  
36 Division Street,  
Weshpool WA 6106  
[wasaes@cmielectrical.com.au](mailto:wasaes@cmielectrical.com.au)