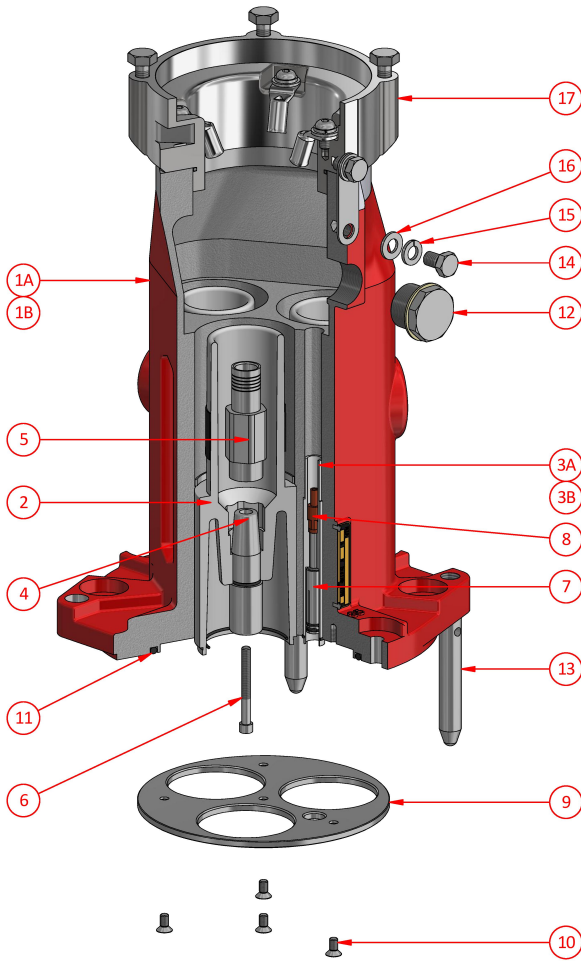




**Bolted Coupler
 A803A - A804A**

800 Amp Series D (Aluminium)

Body Size D - 11000V



Coupler shown fitted with "Optional" Gland Adaptor to suit 4 Bolt Hole Glands

Weight 13.0kg
Dimensions L 280mm W 280mm H 430mm
Compliance Non Hazardous Area Only, Dimensions to AS/NZS1300
Materials Aluminium / PTFE / Stainless Steel
IP Rating IP66/68

Ordering Procedure

- 1
- 2
- 3
- 4

- Select complete Coupler from Table 1
- Select Phase Thimble from Table 2 (3 Required)
- Select Gland from either No.2 to No.5 Glands (Bronze) or N Series Glands (Aluminum with optional F-4704 Gland Adaptor)
- Select Accessories from Aluminium Body Size D Accessories

Table 1

Part Number	Description	Colour
A803A	800A 11kV Bolted Coupler	Red/White
A804A	800A 11kV Bolted Coupler c/w Pilot Assembly	Red/White

Table 2

Phase Thimble - c/w screw AH009868 1/4" x 2 1/4" skt. head			
Part Number	CSA	ID mm	Utilux Die No.
F-201-432	25	8.0	38-92 Cu
F-201-302	35	9.5	38-115 Cu
F-201-303	50	10.5	38-115 Cu
F-201-303-1	70	12.8	38-142 Cu
F-201-304-1	95	14.0	38-165 Cu
F-201-305-1	120	16.0	38-165 Cu
F-201-306-1	150	18.0	38-183 Cu
F-201-307-1	185	21.8	SOLDER ONLY
F-201-326-1	240	24.2	SOLDER ONLY
F-3641	300	26.3	40-281 Cu
F-3641-1	240	24.2	40-281 Cu
F-3641-2	185	21.2	38-231 Cu

NB: CSA is indicative only. Use ID for thimble selection

Options

Part Number	Description
F-4704	800A Gland Adaptor Assy

NB: For use with N Series Glands

Spare Parts

#	Part Number	Description
1A	F-4635A-803	800A Coupler Body c/w items 1A, 9, 10, 11, 12, 13, 14, 15 & 16
1B	F-4635A-804	800A Coupler Body c/w items 1B, 9, 10, 11, 12, 13, 14, 15 & 16
2	F-4668	Phase Interior c/w O-ring AI019020
3A	F-4639	Pilot Insulator c/w O-ring AI019018
3B	F-4640	Dummy Pilot Insulator c/w O-ring AI019018
4	F-4647	Phase Pin & O-ring AI019022
5	See Table 2	Phase Thimble
6	AH009868	Screw 1/4" x 2 1/4" skt. head
7	F-4641	Pilot Socket c/w c/w O-ring AI019030 & Pilot Thimble 4611
8	4611	Pilot Thimble
9	4644A	Interior Retaining Plate
10	AH151037	Screw M6 x 12 csk. head
11	AI018994	O-ring ID 184.0 x sect. 5.0
12	F-PM32	M32 Blanking Plug c/w Sealing Washer
13	3378	Guide Pin
14	AH113111	Screw M10 x 16 hex. head
15	AH151011	Spring Washer M10
16	AH150011	Washer M10

CMi Head Office NSW | (02) 9807 6155 | F3, 3-29 Birnie Ave, Lidcombe, NSW, 2141 | nswsales@cmielectrical.com.au
CMi QLD-Brisbane
 (07) 3863 0749
 485A Zillmere Road,
 Zillmere QLD 4034
 southqldsales@cmielectrical.com.au

CMi QLD - Rockhampton
 (07) 4921 0978
 Shop 3 at 76 Hollingsworth Street,
 North Rockhampton Qld 4701
 northqldsales@cmielectrical.com.au

CMi VIC
 (03) 9532 1233
 3 Dissik Street,
 Cheltenham VIC 3192
 vicsales@cmielectrical.com.au

CMi WA
 (08) 9358 1788
 36 Division Street,
 Welshpool WA 6106
 wasales@cmielectrical.com.au