

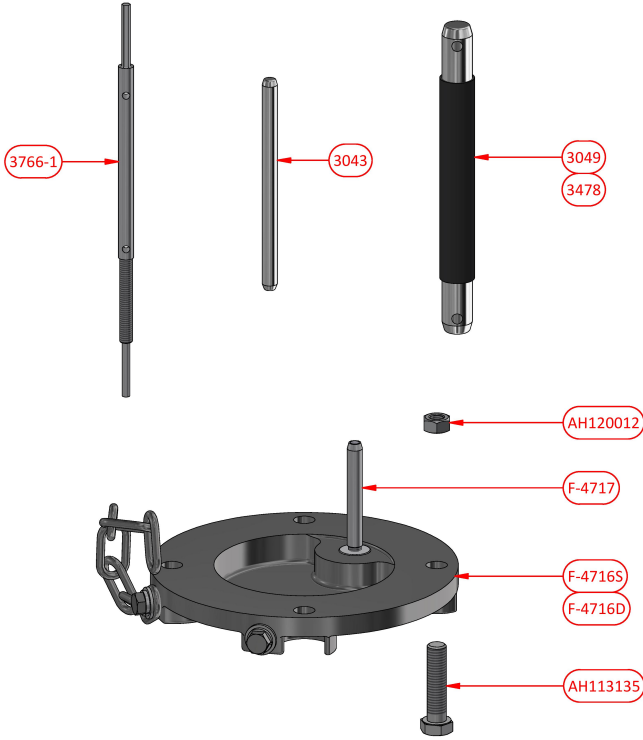
Ordering Procedure

1

Select complete Accessory from Table 1

Table 1

Part Number	Description
F-4716S	300/425A Blanking Cover
F-4716D	300/425A Blanking Cover with Pilot Diode
	300A Phase Connecting Pin
3478	425A Phase Connecting Pin
	Pilot Pin
F-4717	Pilot Diode Pin
3766-1	Socket Extraction Tool
AH113135	Screw M12 x 50 hex. head
AH120012	Nut M12



Compliance
Materials

Explosion protected to AS/NZS1300 & IEC60079 Series
 Stainless Steel / Silver Plated Copper

CMI Head Office NSW | (02) 9807 6155 | F3, 3-29 Birnie Ave, Lidcombe, NSW, 2141 | nswsales@cmielectrical.com.au
CMI QLD-Brisbane
 (07) 3863 0749
 485A Zillmere Road,
 Zillmere QLD 4034
 southqdsales@cmielectrical.com.au

CMI QLD - Rockhampton
 (07) 4921 0978
 Shop 3 at 76 Hollingsworth Street,
 North Rockhampton Qld 4701
 northqdsales@cmielectrical.com.au

CMI VIC
 (03) 9532 1233
 3 Dissik Street,
 Cheltenham VIC 3192
 vicisales@cmielectrical.com.au

CMI WA
 (08) 9358 1788
 36 Division Street,
 Welshpool WA 6106
 wasales@cmielectrical.com.au