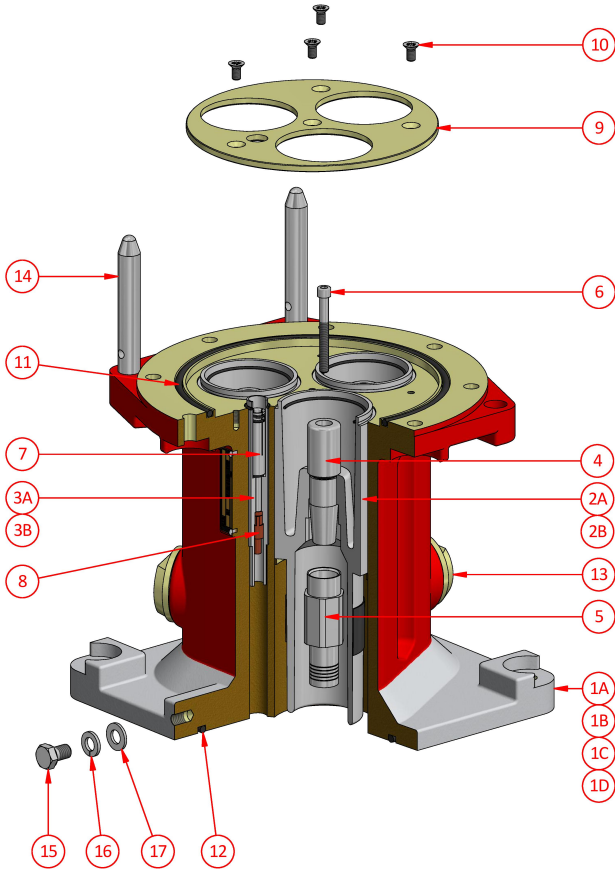




Bolted Adaptor Bronze
AB803B - AB804B
AB803BC - AB804BC

800 Amp Series D
Body Size D - 11000V



Weight 34.0kg
Dimensions L 280mm W 280mm H 300mm
Compliance Explosion protected to AS/NZS1300 & IEC60079 Series
Materials Manganese Bronze / PTFE
IP Rating IP66/68

Ordering Procedure

- 1 Select complete Adaptor from Table 1
- 2 Select Phase Thimble from Table 2 (3 Required)
- 3 Select Accessories from Body Size D Accessories

Table 1

Part Number	Description	Colour
AB803B	800A 11kV Bolted Adaptor	Red/White
AB804B	800A 11kV Bolted Adaptor c/w Pilot Assembly	Red/White
AB803BC	800A 11kV Bolted Adaptor with Lights	Red/White
AB804BC	800A 11kV Bolted Adaptor with Lights c/w Pilot Assembly	Red/White

Table 2

Phase Thimble - c/w screw AH009868 1/4" x 2 1/4" skt. head

Part Number	CSA	ID mm	Utilux Die No.
F-201-432	25	8.0	38-92 Cu
F-201-302	35	9.5	38-115 Cu
F-201-303	50	10.5	38-115 Cu
F-201-303-1	70	12.8	38-142 Cu
F-201-304-1	95	14.0	38-165 Cu
F-201-305-1	120	16.0	38-165 Cu
F-201-306-1	150	18.0	38-183 Cu
F-201-307-1	185	21.8	Solder Only
F-201-326-1	240	24.2	Solder Only
F-3641	300	26.3	40-281 Cu
F-3641-1	240	24.2	40-281 Cu
F-3641-2	185	21.2	38-231 Cu

NB: CSA is indicative only. Use ID for thimble selection

Spare Parts

#	Part Number	Description
1A	F-4636B-803	800A Adaptor Body c/w items 1A, 9, 10, 11, 12, 14, 15, 16 & 17
1B	F-4636B-804	800A Adaptor Body c/w items 1B, 9, 10, 11, 12, 14, 15, 16 & 17
1C	F-4636B-803C	800A Adaptor Body c/w items 1C, 9, 10, 11, 12, 13, 14, 15, 16 & 17
1D	F-4636B-804C	800A Adaptor Body c/w items 1D, 9, 10, 11, 12, 13, 14, 15, 16 & 17
2A	F-4668	Phase Interior c/w O-ring AI019020
2B	F-4668H	Phase Interior c/w O-ring AI019020 & Heat Shrink
3A	F-4639	Pilot Insulator c/w O-ring AI019018
3B	F-4640	Dummy Pilot Insulator c/w O-ring AI019018
4	F-4647	Phase Pin & O-ring AI019022
5	See Table 2	Phase Thimble
6	AH009868	Screw 1/4" x 2 1/4" skt. head
7	F-4641	Pilot Socket c/w c/w O-ring AI019030 & Pilot Thimble 4611
8	4611	Pilot Thimble
9	4644B	Interior Retaining Plate
10	AH151037	Screw M6 x 12 csk. head
11	AI018994	O-ring ID 184.0 x sect. 5.0
12	AI018997	O-ring ID 196.22 x sect. 5.33
13	F-4671	Indicator Light Assy
14	3378	Guide Pin
15	AH113111	Screw M10 x 16 hex. head
16	AH151011	Spring Washer M10
17	AH150011	Washer M10

CMi Head Office NSW | (02) 9807 6155 | F3, 3-29 Birnie Ave, Lidcombe, NSW, 2141 | nswsales@cmielectrical.com.au
CMi QLD-Brisbane
(07) 3863 0749
485A Zillmere Road,
Zillmere QLD 4034
southqldsales@cmielectrical.com.au

CMi QLD - Rockhampton
(07) 4921 0978
Shop 3 at 76 Hollingsworth Street,
North Rockhampton Qld 4701
northqldsales@cmielectrical.com.au

CMi VIC
(03) 9532 1233
3 Dissik Street,
Cheltenham VIC 3192
vicsales@cmielectrical.com.au

CMi WA
(08) 9358 1788
36 Division Street,
Welshpool WA 6106
wasales@cmielectrical.com.au