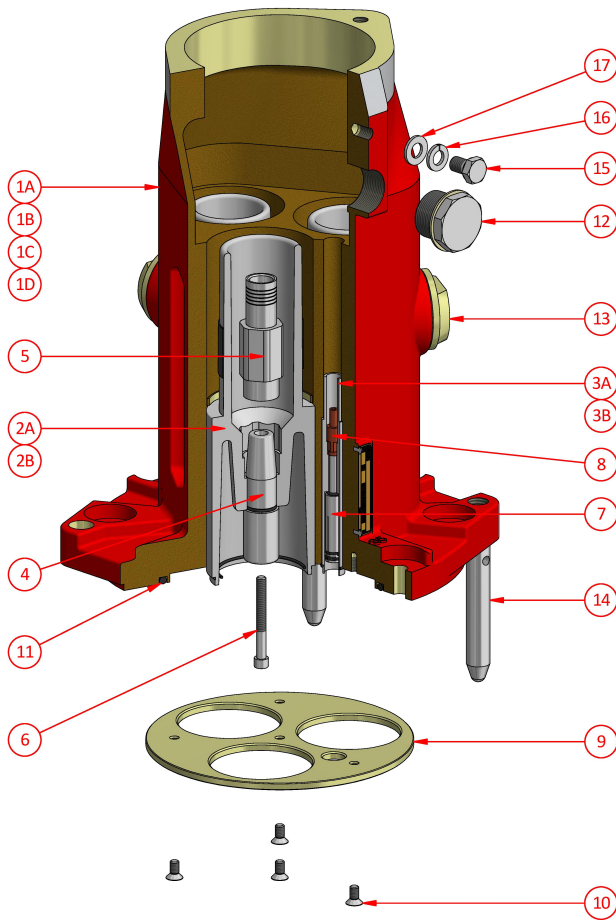




**Bolted Coupler Bronze**  
 AA803B - AA804B  
 AA803BC - AA804BC

**800 Amp Series D**

Body Size D - 11000V



**Weight**  
**Dimensions**  
**Compliance**  
**Materials**  
**IP Rating**

31.0kg  
 L 280mm W 280mm H 430mm  
 Explosion protected to AS/NZS1300 & IEC60079 Series  
 Manganese Bronze / PTFE  
 IP66/68

**Ordering Procedure**

- 1 Select complete Coupler from Table 1
- 2 Select Phase Thimble from Table 2 (3 Required)
- 3 Select Gland from No.2 to No.5 Glands
- 4 Select Accessories from Body Size D Accessories

**Table 1**

Part Number	Description	Colour
AA803B	800A 11kV Bolted Coupler	Red/White
AA804B	800A 11kV Bolted Coupler c/w Pilot Assembly	Red/White
AA803BC	800A 11kV Bolted Coupler with Lights	Red/White
AA804BC	800A 11kV Bolted Coupler with Lights c/w Pilot Assembly	Red/White

**Table 2**

Phase Thimble - c/w screw AH009868 1/4" x 2 1/4" skt. head

Part Number	CSA	ID mm	Utilux Die No.
F-201-432	25	8.0	38-92 Cu
F-201-302	35	9.5	38-115 Cu
F-201-303	50	10.5	38-115 Cu
F-201-303-1	70	12.8	38-142 Cu
F-201-304-1	95	14.0	38-165 Cu
F-201-305-1	120	16.0	38-165 Cu
F-201-306-1	150	18.0	38-183 Cu
F-201-307-1	185	21.8	Solder Only
F-201-326-1	240	24.2	Solder Only
F-3641	300	26.3	40-281 Cu
F-3641-1	240	24.2	40-281 Cu
F-3641-2	185	21.2	38-231 Cu

NB: CSA is indicative only. Use ID for thimble selection

**Spare Parts**

#	Part Number	Description
1A	F-4635B-803	800A Coupler Body c/w items 1A, 9, 10, 11, 12, 14, 15, 16 & 17
1B	F-4635B-804	800A Coupler Body c/w items 1B, 9, 10, 11, 12, 14, 15, 16 & 17
1C	F-4635B-803C	800A Coupler Body c/w items 1C, 9, 10, 11, 12, 13, 14, 15, 16 & 17
1D	F-4635B-804C	800A Coupler Body c/w items 1D, 9, 10, 11, 12, 13, 14, 15, 16 & 17
2A	F-4668	Phase Interior c/w O-ring AI019020
2B	F-4668H	Phase Interior c/w O-ring AI019020 & Heat Shrink
3A	F-4639	Pilot Insulator c/w O-ring AI019018
3B	F-4640	Dummy Pilot Insulator c/w O-ring AI019018
4	F-4647	Phase Pin & O-ring AI019022
5	See Table 2	Phase Thimble
6	AH009868	Screw 1/4" x 2 1/4" skt. head
7	F-4641	Pilot Socket c/w c/w O-ring AI019030 & Pilot Thimble 4611
8	4611	Pilot Thimble
9	4644B	Interior Retaining Plate
10	AH151037	Screw M6 x 12 csk. head
11	AI018994	O-ring ID 184.0 x sect. 5.0
12	F-PM32	M32 Blanking Plug c/w Sealing Washer
13	F-4671	Indicator Light Assy
14	3378	Guide Pin
15	AH113111	Screw M10 x 16 hex. head
16	AH151011	Spring Washer M10
17	AH150011	Washer M10

**CMi Head Office NSW** | (02) 9807 6155 | F3, 3-29 Birnie Ave, Lidcombe, NSW, 2141 | nswsales@cmielectrical.com.au  
**CMi QLD-Brisbane**  
 (07) 3863 0749  
 485A Zillmere Road,  
 Zillmere QLD 4034  
 southqdsales@cmielectrical.com.au

**CMi QLD - Rockhampton**  
 (07) 4921 0978  
 Shop 3 at 76 Hollingsworth Street,  
 North Rockhampton Qld 4701  
 northqdsales@cmielectrical.com.au

**CMi VIC**  
 (03) 9532 1233  
 3 Dissik Street,  
 Cheltenham VIC 3192  
 vicsales@cmielectrical.com.au

**CMi WA**  
 (08) 9358 1788  
 36 Division Street,  
 Welshpool WA 6106  
 wasales@cmielectrical.com.au