

Bolted Coupler
AA374S - AA376S
AA474S - AA476S

300/425 Amp Series C
Body Size C - 6600V

Ordering Procedure

- 1 Select complete Coupler from Table 1
- 2 Select Phase Thimble from Table 2 (3 Required)
- 3 Select Gland from No.2 to No.5 Glands
- 4 Select Accessories from Body Size C Accessories

Table 1

Part Number	Description	Colour
AA374S	300A 6600V Bolted Coupler 4 Pin	Red
AA376S	300A 6600V Bolted Coupler 6 Pin	Red
AA474S	425A 6600V Bolted Coupler 4 Pin	Red/Silver
AA476S	425A 6600V Bolted Coupler 6 Pin	Red/Silver

NB: Coupler supplied with Pilot Thimble

Table 2

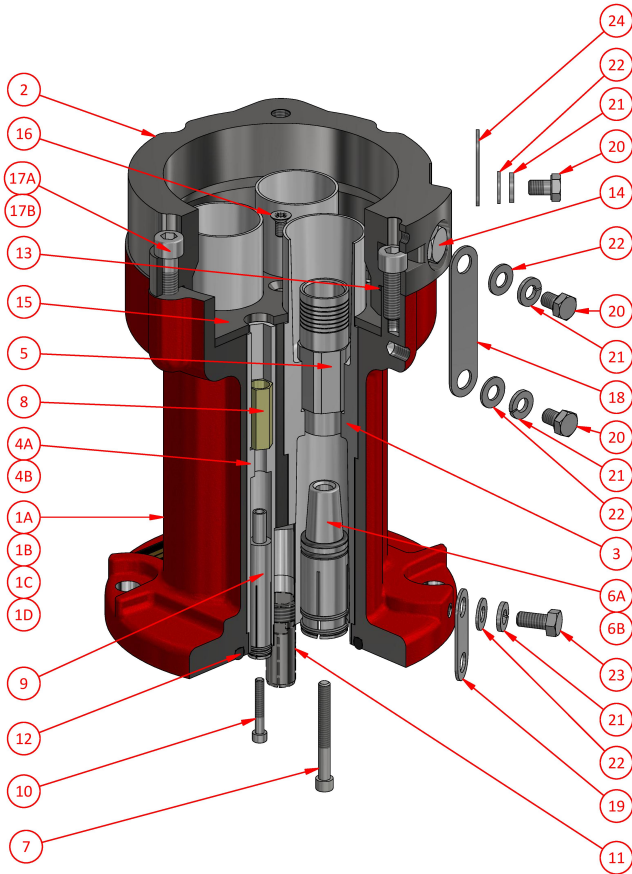
Phase Thimble - c/w screw AH009868 1/4" x 2 1/4" skt. head

Part Number	CSA	ID mm	Utilux Die No.
F-201-432	25	8.0	38-92 Cu
F-201-302	35	9.5	38-115 Cu
F-201-303	50	10.5	38-115 Cu
F-201-303-1	70	12.8	38-142 Cu
F-201-304-1	95	14.0	38-165 Cu
F-201-305-1	120	16.0	38-165 Cu
F-201-306-1	150	18.0	38-183 Cu
F-201-307-1	185	21.8	SOLDER ONLY
F-201-326-1	240	24.2	SOLDER ONLY
F-3641	300	26.3	40-281 Cu
F-3641-1	240	24.2	40-281 Cu
F-3641-2	185	21.2	38-231 Cu

NB: CSA is indicative only. Use ID for thimble selection

Spare Parts

#	Part Number	Description
1A	F-4707S-374	300A 6600V Coupler Body c/w items 1A, 11, 12, 15, 16, 18, 19, 20, 21, 22 & 23
1B	F-4707S-376	300A 6600V Coupler Body c/w items 1B, 11, 12, 15, 16, 18, 19, 20, 21, 22 & 23
1C	F-4707S-474	425A 6600V Coupler Body c/w items 1C, 11, 12, 15, 16, 18, 19, 20, 21, 22 & 23
1D	F-4707S-476	425A 6600V Coupler Body c/w items 1D, 11, 12, 15, 16, 18, 19, 20, 21, 22 & 23
2	F-4675	6600V Gland Adaptor Assembly
3	MO4700	Phase Pin Insulator
4A	MO4701	Pilot Socket Insulator
4B	4718	Auxiliary Socket Bung
5	See Table 2	Phase Thimble
6A	F-201-299	300A Phase Socket c/w O-ring AI019013
6B	F-201-300-1	425A Phase Socket c/w O-ring AI019013
7	AH009868	Screw 1/4" x 2 1/4" skt. head
8	F-3727	Pilot Thimble c/w screw AH009834 3/16" x 1 1/4" skt. head
9	F-3042-1	Pilot Socket
10	AH009834	Screw 3/16" x 1 1/4" skt. head
11	4708	Earth Connector
12	AI018993	O-ring ID 113.67 x sect. 6.99
13	AI019057	O-ring ID 145.72 x sect. 2.62
14	F-PM16SS	M16 Blanking Plug c/w Sealing Washer
15	4699	Retaining Plate
16	AH151037	Screw M6 x 12 csk. head
17A	AH117113	Screw M10 x 40 skt. head
17B	AH115114	Screw M10 x 30 skt. head
18	201-264-8	Earth Strap
19		Earth Strap
20	AH113091	Screw M8 x 10 hex. head
21	AH151071	Spring Washer M8
22	AH009277	Washer 5/16"
23	AH113097	Screw M8 x 16 hex. head
24	201-264-7	Earth Strap



Weight 17.0kg
Dimensions L 200mm W 210mm H 280mm
Compliance Explosion protected to AS/NZS1300 & IEC60079 Series
Materials Stainless Steel / PTFE
IP Rating IP66