



Bolted Adaptor
 AB364T - AB314T
 AB464T - AB414T

300/425 Amp Series B

Body Size B - 660V - 1100V

Ordering Procedure

- 1 Select complete Adaptor from Table 1
- 2 Select Phase Thimble from Table 2 (3 Required)
- 3 Select Accessories from Body Size B Accessories

Table 1

Part Number	Description	Colour
AB364T	300A 660V Bolted Adaptor	Orange
AB314T	300A 1100V Bolted Adaptor	Blue
AB464T	425A 660V Bolted Adaptor	Orange/Silver
AB414T	425A 1100V Bolted Adaptor	Blue/Silver

NB: Adaptor supplied with Pilot Thimble

Table 2

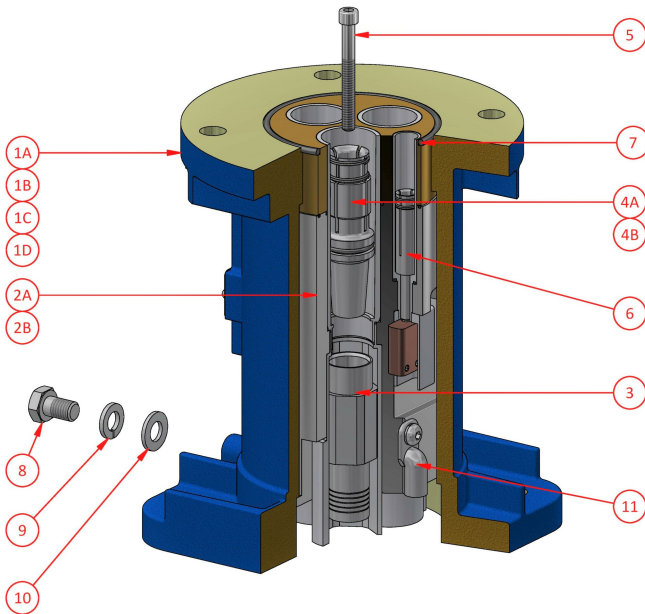
Phase Thimble - c/w screw AH009868 1/4" x 2 1/4" skt. head

Part Number	CSA	ID mm	Utilux Die No.
F-201-432	25	8.0	38-92 Cu
F-201-302	35	9.5	38-115 Cu
F-201-303	50	10.5	38-115 Cu
F-201-303-1	70	12.8	38-142 Cu
F-201-304-1	95	14.0	38-165 Cu
F-201-305-1	120	16.0	38-165 Cu
F-201-306-1	150	18.0	38-183 Cu
F-201-307-1	185	21.8	38-231 Cu
F-201-326-1	240	24.2	SOLDER ONLY

NB: CSA is indicative only. Use ID for thimble selection

Spare Parts

#	Part Number	Description
1	F-4812	Interior c/w Earth Lugs, Screws, Pilot Socket Assy & Retaining Bracket
1A	F-3439-364T	300A 660V Adaptor Body c/w items 1A, 7, 8, 9 & 10
1B	F-3439-314T	300A 1100V Adaptor Body c/w items 1B, 7, 8, 9 & 10
1C	F-3439-464T	425A 660V Adaptor Body c/w items 1C, 7, 8, 9 & 10
1D	F-3439-414T	425A 1100V Adaptor Body c/w items 1D, 7, 8, 9 & 10
2B	F-4812KIT	Interior Service Kit c/w Insulators & O-rings
3	See Table 2	Phase Thimble
4A	F-201-299	300A Phase Socket c/w O-ring AI019013
4B	F-201-300-1	425A Phase Socket c/w O-ring AI019013
5	AH009868	Screw 1/4" x 2 1/4" skt. head
6	F-4819	Pilot Socket Assy c/w O-ring AI019065 & Pilot Thimble
7	AI019006	O-ring ID 82.14 x sect. 3.53
8	AH113111	Screw M10 x 16 hex. head
9	AH151011	Spring Washer M10
10	AH150011	Washer M10
11	F-AH017206B	Earth Lug c/w screw AH115115 & washer AH150014



Weight 13.0kg
 Dimensions L 170mm W 170mm H 230mm
 Compliance Explosion protected to IEC60079 Series
 Materials Manganese Bronze / Brass / Aluminium / PTFE
 IP Rating IP66

CMi Head Office NSW | (02) 9807 6155 | F3, 3-29 Birnie Ave, Lidcombe, NSW, 2141 | nswsales@cmielectrical.com.au
 CMi QLD-Brisbane (07) 3863 0749 485A Zillmere Road, Zillmere QLD 4034 southqdsales@cmielectrical.com.au
 CMi QLD - Rockhampton (07) 4921 0978 Shop 3 at 76 Hollingsworth Street, North Rockhampton Qld 4701 northqdsales@cmielectrical.com.au

CMi VIC (03) 9532 1233 3 Dissik Street, Cheltenham VIC 3192 vicsales@cmielectrical.com.au

CMi WA (08) 9358 1788 36 Division Street, Welshpool WA 6106 wasales@cmielectrical.com.au