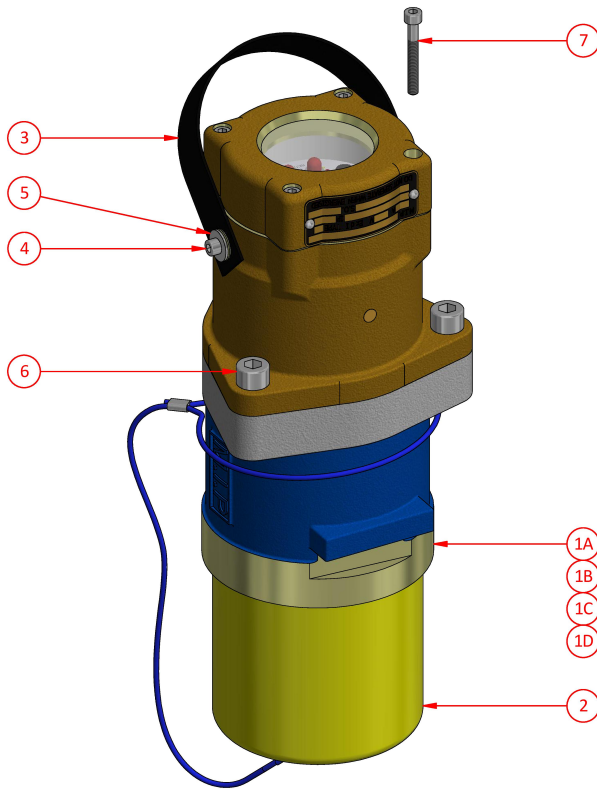


Phase Condition Indicator Plug
 AM461RLA - AM411RLA
 AT464R - AT414R
 AT464RS - AT414RS

425 Amp Series
 660V - 1100V

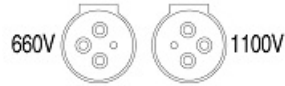


Ordering Procedure

1

Select complete Phase Condition Indicator Plug from Table 1

Table 1



Part Number	Description	Colour
AM461RLA	660V Phase Condition Indicator Plug RTX	Orange/Silver
AM411RLA	1100V Phase Condition Indicator Plug RTX	Blue/Silver
AT464R	660V Phase Condition Indicator Plug	Orange/Silver
AT414R	1100V Phase Condition Indicator Plug	Blue/Silver
AT464RS	660V Phase Condition Indicator Plug (Stainless steel nose cone)	Orange/Silver
AT414RS	1100V Phase Condition Indicator Plug (Stainless steel nose cone)	Blue/Silver

Spare Parts

#	Part Number	Description
1A	F-3342-464	660V Nose Cone
1B	F-3342-414	1100V Nose Cone
1C	F-3342-464SS	660V Nose Cone Stainless Steel
1D	F-3342-414SS	1100V Nose Cone Stainless Steel
2	F-264L	Protection Cap
3	F-AX000400	Handle
4	AH151033	Screw M5 x 16 skt. head
5	AH009251	Washer 3/16"
6	AH117113	Screw M10 x 40 skt. head
7	AH151015	Screw M5 x 40 skt. head

Weight 10kg
 Dimensions L 150mm W 150mm H 410mm
 Compliance Explosion protected to AS/NZS1299 & IEC60079 Series
 Materials Manganese Bronze / Neoprene / Stainless Steel
 IP Rating IP66

CMI Head Office NSW | (02) 9807 6155 | F3, 3-29 Birnie Ave, Lidcombe, NSW, 2141 | nswsales@cmielectrical.com.au
CMI QLD-Brisbane
 (07) 3863 0749
 485A Zillmere Road,
 Zillmere QLD 4034
 southqdsales@cmielectrical.com.au

CMI QLD - Rockhampton
 (07) 4921 0978
 Shop 3 at 76 Hollingsworth Street,
 North Rockhampton Qld 4701
 northqdsales@cmielectrical.com.au

CMI VIC
 (03) 9532 1233
 3 Dissik Street,
 Cheltenham VIC 3192
 vicsales@cmielectrical.com.au

CMI WA
 (08) 9358 1788
 36 Division Street,
 Welshpool WA 6106
 wasales@cmielectrical.com.au