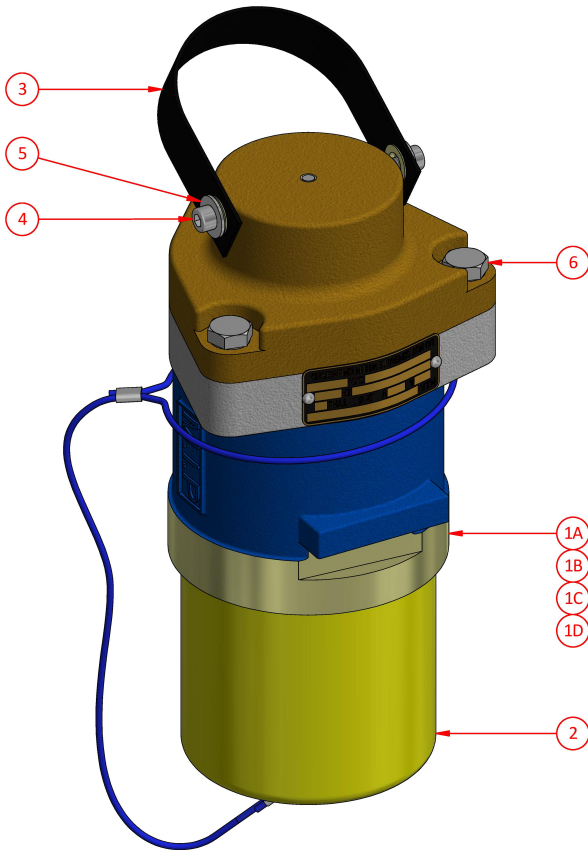


Dummy Plug with Pilot Diode 6 Pin
AR416R - AR436R
AR416RS - AR436RS

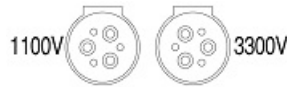
425 Amp Series
1100V - 3300V



Ordering Procedure

- 1 Select complete Dummy Plug from Table 1

Table 1



Part Number	Description	Colour
AR416R	1100V Dummy Plug with Pilot Diode 6 Pin	Blue/Silver
AR436R	3300V Dummy Plug with Pilot Diode 6 Pin	Red/Silver
AR416RS	1100V Dummy Plug with Pilot Diode 6 Pin (Stainless steel nose cone)	Blue/Silver
AR436RS	3300V Dummy Plug with Pilot Diode 6 Pin (Stainless steel nose cone)	Red/Silver

Spare Parts

#	Part Number	Description
1A	F-3342-416	1100V Nose Cone
1B	F-3342-436	3300V Nose Cone
1C	F-3342-416SS	1100V Nose Cone Stainless Steel
1D	F-3342-436SS	3300V Nose Cone Stainless Steel
2	F-264L	Protection Cap
3	F-AX000400	Handle
4	AH115112	Screw M6 x 16 skt. head
5	AH009277	Washer 5/16"
6	AH113115	Screw M10 x 40 hex. head

Weight 8kg
Dimensions L 150mm W 150mm H 410mm
Compliance Explosion protected to AS/NZS1299 & IEC60079 Series
Materials Manganese Bronze / Neoprene / Stainless Steel
IP Rating IP66

CMI Head Office NSW | (02) 9807 6155 | F3, 3-29 Birnie Ave, Lidcombe, NSW, 2141 | nswsales@cmielectrical.com.au
CMI QLD-Brisbane (07) 3863 0749 485A Zillmere Road, Zillmere QLD 4034 southqdsales@cmielectrical.com.au
CMI QLD - Rockhampton (07) 4921 0978 Shop 3 at 76 Hollingsworth Street, North Rockhampton Qld 4701 northqdsales@cmielectrical.com.au

CMI VIC (03) 9532 1233 3 Dissik Street, Cheltenham VIC 3192 vicsales@cmielectrical.com.au

CMI WA (08) 9358 1788 36 Division Street, Welshpool WA 6106 wasales@cmielectrical.com.au