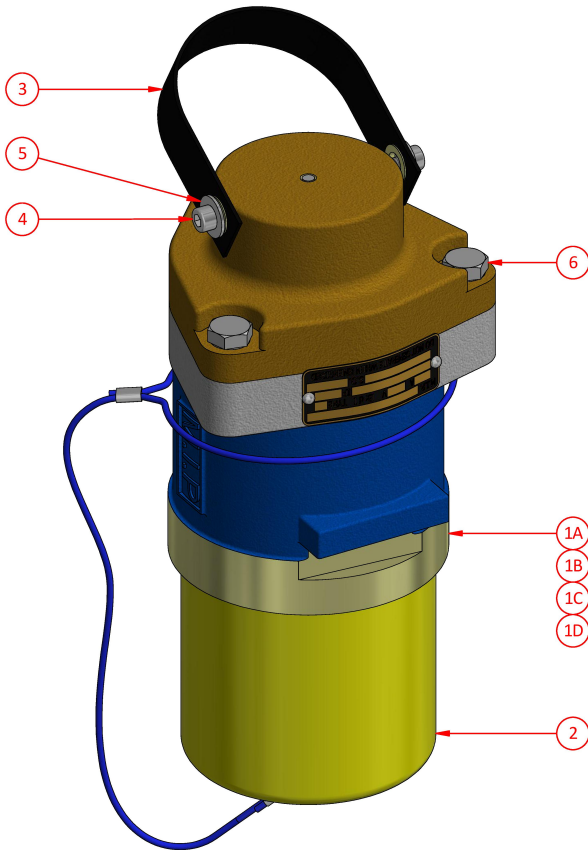




Dummy Plug with Pilot Diode  
 AR461R - AR411R  
 AR461RS - AR411RS

425 Amp Series

660V - 1100V

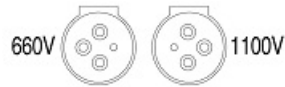


Ordering Procedure

1

Select complete Dummy Plug from Table 1

Table 1



Part Number	Description	Colour
AR461R	660V Dummy Plug with Pilot Diode	Orange/Silver
AR411R	1100V Dummy Plug with Pilot Diode	Blue/Silver
AR461RS	660V Dummy Plug with Pilot Diode (Stainless steel nose cone)	Orange/Silver
AR411RS	1100V Dummy Plug with Pilot Diode (Stainless steel nose cone)	Blue/Silver

Spare Parts

#	Part Number	Description
1A	F-3342-464	660V Nose Cone
1B	F-3342-414	1100V Nose Cone
1C	F-3342-464SS	660V Nose Cone Stainless Steel
1D	F-3342-414SS	1100V Nose Cone Stainless Steel
2	F-264L	Protection Cap
3	F-AX000400	Handle
4	AH115112	Screw M6 x 16 skt. head
5	AH009277	Washer 5/16"
6	AH113115	Screw M10 x 40 hex. head

**Weight** 8kg  
**Dimensions** L 150mm W 150mm H 410mm  
**Compliance** Explosion protected to AS/NZS1299 & IEC60079 Series  
**Materials** Manganese Bronze / Neoprene / Stainless Steel  
**IP Rating** IP66

**CMI Head Office NSW** | (02) 9807 6155 | F3, 3-29 Birnie Ave, Lidcombe, NSW, 2141 | nswsales@cmielectrical.com.au  
**CMI QLD-Brisbane**  
 (07) 3863 0749  
 485A Zillmere Road,  
 Zillmere QLD 4034  
 southqdsales@cmielectrical.com.au  
**CMI QLD - Rockhampton**  
 (07) 4921 0978  
 Shop 3 at 76 Hollingsworth Street,  
 North Rockhampton Qld 4701  
 northqdsales@cmielectrical.com.au

**CMI VIC**  
 (03) 9532 1233  
 3 Dissik Street,  
 Cheltenham VIC 3192  
 vicsales@cmielectrical.com.au

**CMI WA**  
 (08) 9358 1788  
 36 Division Street,  
 Welshpool WA 6106  
 wasales@cmielectrical.com.au