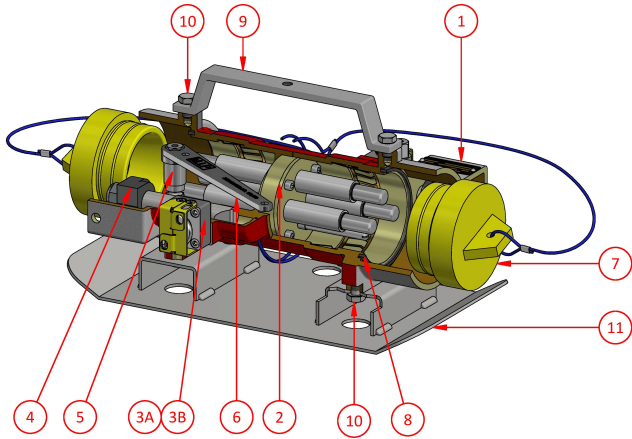


Back to Back Receptacle Quick Release  
AH434BQR

425 Amp Series

3300V



Receptacle shown fitted with "Optional" Lockable Hasp & Skid Plate

**Weight** 18kg (no skid) 20kg (with skid)  
**Dimensions** L 430mm W 280mm H 280mm  
**Compliance** Explosion protected to AS/NZS1299 & IEC60079 Series  
**Materials** Manganese Bronze / Brass / PTFE  
**IP Rating** IP66/68

Ordering Procedure

- 1
- 2

Select complete Back to Back from Table 1

Add Part No. from Table 1 & Options Table together to get Part No. required (See examples shown under the Options Table)

Table 1



Part Number	Description	Colour
AH434BQR	3300V Back to Back Receptacle Quick Release	Red/Silver

Options

Part Number	Description
S	Skid Plate
L	Lockable Hasp

Examples: AH434BQRS, AH434BQRL, AH434BQRLS

Spare Parts

#	Part Number	Description
1	F-4105QR-434	3300V QR Back to Back Body c/w items 1, 3, 4, 5, 8, 9 & 10
2	F-4585-4	Interior c/w screws AH115112 M6 x 16 skt. head
3A	F-459	Q/R Locking Mechanism c/w screws AH009860 1/4" x 1" skt. head
3B	F-459L	Q/R Locking Mechanism c/w Lockable Hasp & AH009860 1/4" x 1" skt. head
4	F-460	Q/R Rack
5	F-482	Q/R Pinion c/w Handle
6	4285	Q/R Handle
7	F-311	Sealing Plug
8	4401-3	Seal
9	4035	Lifting Handle
10	AH113111	Screw M10 x 16 hex. head
11	4043S	Skid Plate

**CMI Head Office NSW** | (02) 9807 6155 | F3, 3-29 Birnie Ave, Lidcombe, NSW, 2141 | [nswsales@cmielectrical.com.au](mailto:nswsales@cmielectrical.com.au)  
**CMI QLD-Brisbane**  
(07) 3863 0749  
485A Zillmere Road,  
Zillmere QLD 4034  
[southqdsales@cmielectrical.com.au](mailto:southqdsales@cmielectrical.com.au)

**CMI QLD - Rockhampton**  
(07) 4921 0978  
Shop 3 at 76 Hollingsworth Street,  
North Rockhampton Qld 4701  
[northqdsales@cmielectrical.com.au](mailto:northqdsales@cmielectrical.com.au)

**CMI VIC**  
(03) 9532 1233  
3 Dissik Street,  
Cheltenham VIC 3192  
[vicsales@cmielectrical.com.au](mailto:vicsales@cmielectrical.com.au)

**CMI WA**  
(08) 9358 1788  
36 Division Street,  
Welshpool WA 6106  
[wasales@cmielectrical.com.au](mailto:wasales@cmielectrical.com.au)