



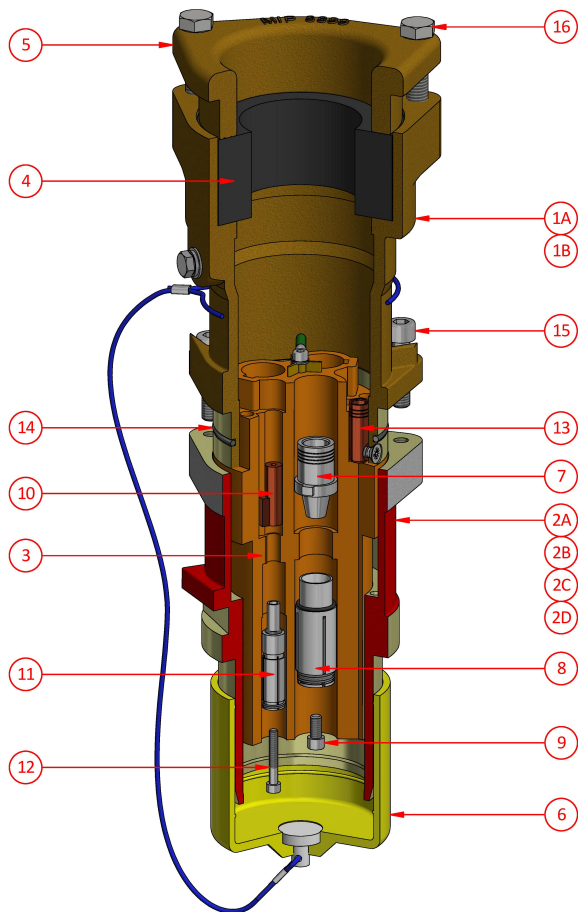
Restrained Plug 6 Pin Large Gland

AF416R4 - AF436R4

AF416RS4 - AF436RS4

425 Amp Series

1100V - 3300V



Weight
Dimensions
Compliance
Materials
IP Rating

14kg
L 150mm W 150mm H 430mm
Explosion protected to AS/NZS1299 & IEC60079 Series
Manganese Bronze / Neoprene / Stainless Steel
IP66/68

Ordering Procedure

- 1 Select complete Plug from Table 1
- 2 Select Phase Thimble from Table 2 (3 Required)
- 3 Select Grommet from Table 3

Table 1



| Part Number | Description | Colour |
|-------------|---|-------------|
| AF416R4 | 1100V Restrained Plug 6 Pin | Blue/Silver |
| AF436R4 | 3300V Restrained Plug 6 Pin | Red/Silver |
| AF416RS4 | 1100V Restrained Plug 6 Pin (Stainless steel nose cone) | Blue/Silver |
| AF436RS4 | 3300V Restrained Plug 6 Pin (Stainless steel nose cone) | Red/Silver |

NB: Plug supplied with Pilot Thimble

Table 2

Phase Thimble - c/w screw AH009857 1/4" x 1/2" skt. head

| Part Number | CSA | ID mm | Utilux Die No. |
|-------------|-----|-------|----------------|
| F-3962-1 | 35 | 10.0 | 38-115 Cu |
| F-3962-2 | 50 | 11.0 | 38-115 Cu |
| F-3962-3 | 70 | 13.5 | 38-142 Cu |
| F-3962-4 | 95 | 14.5 | 38-165 Cu |
| F-3962-5 | 120 | 16.6 | 38-165 Cu |
| F-3962-6 | 150 | 18.0 | 38-183 Cu |
| F-3962-7 | 185 | 20.7 | Solder Only |

NB: CSA is indicative only. Use ID for thimble selection

Table 3

Neoprene Grommets

| Part Number | Cable Acceptance mm |
|-------------|---------------------|
| 3394-58 | 53.0-58.0 |
| 3394-61 | 56.0-61.0 |
| 3394-63 | 59.0-63.0 |
| 3394-66 | 62.0-66.0 |
| 3394-69 | 65.0-69.0 |
| 3394-72 | 68.0-72.0 |
| 3394-75 | 71.0-75.0 |
| 3394-78 | 74.0-78.0 |
| 3394-81 | 77.0-81.0 |
| 3394-84 | 80.0-84.0 |
| 3394-87 | 83.0-87.0 |

Options

Earth Thimble - c/w screw AH151028 M6 x 16 csk. head

| Part Number | Cable Acceptance mm | ID mm | Utilux Die No. |
|-------------|---------------------|-------|----------------|
| F-4648 | 10 | 4.7 | 38-57 Cu |
| F-4648-1 | 16 | 5.5 | 38-63 Cu |
| F-4648-2 | 25 | 7.1 | 38-77 Cu |
| F-4648-3 | 35 | 8.4 | 38-92 Cu |

NB: F-4648-3 supplied with Plug

Spare Parts

| # | Part Number | Description |
|----|--------------|---|
| 1A | | 1100V Large Gland Body c/w items 1A, 5, 14, 15 & 16 |
| 1B | | 3300V Large Gland Body c/w items 1B, 5, 14, 15 & 16 |
| 2A | F-3342-416 | 1100V Nose Cone |
| 2B | F-3342-436 | 3300V Nose Cone |
| 2C | F-3342-416SS | 1100V Nose Cone Stainless Steel |
| 2D | F-3342-436SS | 3300V Nose Cone Stainless Steel |
| 3 | F-4034 | Interior c/w Earth Lead, Screw and Washer |
| 4 | See Table 3 | Neoprene Grommet |
| 5 | 3399B | Clamping Cap |
| 6 | F-264L | Protection Cap |
| 7 | See Table 2 | Phase Thimble |
| 8 | F-4245 | Phase Socket c/w O-ring Al019032 |

(06) 9358 1788
CMI Head Office NSW | (02) 9807 6155 | F3, 3-29 Birnie Ave, Lidcombe, NSW, 2141 | nswsales@cmielectrical.com.au
CMI QLD-Brisbane
(07) 3863 0749
485A Zillmere Road,
Zillmere QLD 4034
southqdsales@cmielectrical.com.au

CMI QLD – Rockhampton
(07) 4921 0978
Shop 3 at 76 Hollingsworth Street,
North Rockhampton Qld 4701
northqdsales@cmielectrical.com.au

| # | Part Number | Description |
|----|-------------|---|
| 9 | AH009857 | Screw 1/4" x 1/2" skt. head |
| 10 | F-3589-1 | Pilot Thimble c/w screw AH009834 3/16" x 1 1/4" skt. head |
| 11 | F-3138-2 | Pilot Socket c/w O-ring AI019030 |
| 12 | AH009834 | Screw 3/16" x 1 1/4" skt. head |
| 13 | F-4648-3 | Earth Thimble c/w screw AH151028 M6 x 16 csk. head |
| 14 | AI019011 | O-ring ID 91.67 x sect. 3.53 |
| 15 | AH117113 | Screw M10 x 40 skt. head |
| 16 | AH113135 | Screw M12 x 50 hex. head |

CMI VIC
(03) 9532 1233
3 Diesik Street,
Cheltenham VIC 3192
vicsales@cmielectrical.com.au

CMI WA
(08) 9358 1788
36 Division Street,
Welshpool WA 6106
wasales@cmielectrical.com.au