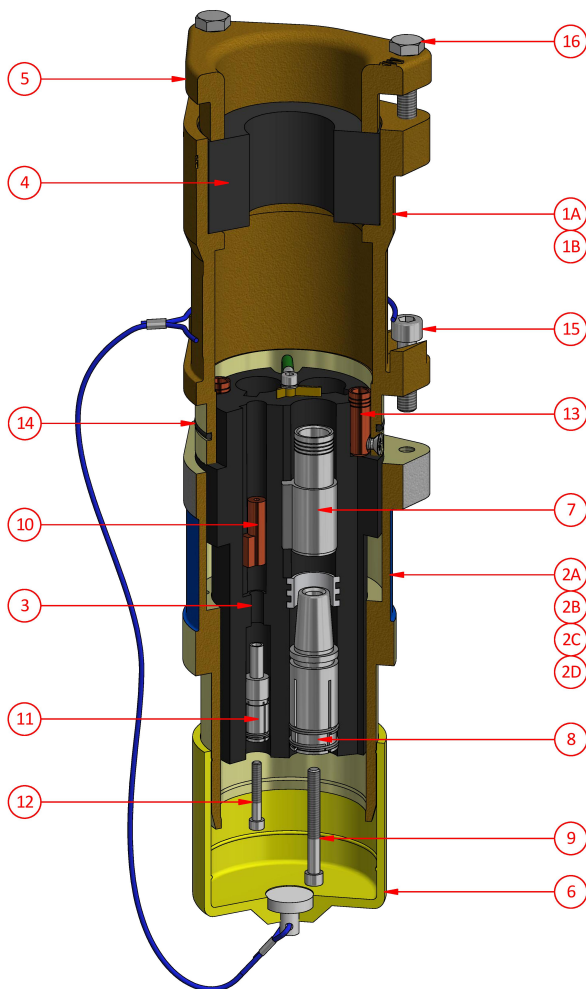


Restrained Plug  
AF464R3 - AF414R3  
AF464RS3 - AF414RS3

425 Amp Series  
660V - 1100V



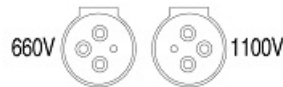
Weight  
Dimensions  
Compliance  
Materials  
IP Rating

12kg  
L 150mm W 150mm H 410mm  
Explosion protected to AS/NZS1299 & IEC60079 Series  
Manganese Bronze / Neoprene / Stainless Steel  
IP66/68

Ordering Procedure

- 1 Select complete Plug from Table 1
- 2 Select Phase Thimble from Table 2 (3 Required)
- 3 Select Grommet from Table 3

Table 1



Part Number	Description	Colour
AF464R3	660V Restrained Plug	Orange/Silver
AF414R3	1100V Restrained Plug	Blue/Silver
AF464RS3	660V Restrained Plug (Stainless steel nose cone)	Orange/Silver
AF414RS3	1100V Restrained Plug (Stainless steel nose cone)	Blue/Silver

NB: Plug supplied with Pilot Thimble

Table 2

Phase Thimble - c/w screw AH009868 1/4" x 2 1/4" skt. head

Part Number	CSA	ID mm	Utilux Die No.
F-3347-00	25	8.0	38-92 Cu
F-3347-0	35	10.0	38-115 Cu
F-3347-1	50	11.0	38-115 Cu
F-3347-2	70	13.5	38-142 Cu
F-3347-3	95	14.5	38-165 Cu
F-3347-4	120	16.6	38-165 Cu
F-3347-5	150	18.0	38-183 Cu
F-3347-6	185	20.7	Solder Only

NB: CSA is indicative only. Use ID for thimble selection

Table 3

Neoprene Grommets

Part Number	Cable Acceptance mm
3054-25	22.0-25.0
3054-31	24.0-31.0
3054-35	30.0-35.0
3054-38	34.0-38.0
3054-41	37.0-41.0
3054-45	40.0-45.0
3054-47	44.0-47.0
3054-51	46.0-51.0
3054-54	50.0-54.0
3054-57	53.0-57.0
3054-60	56.0-60.0
3054-64	59.0-64.0
3054-67	63.0-67.0
3054-70	66.0-70.0
3054-73	69.0-73.0
3054-76	72.0-76.0

Options

Earth Thimble - c/w screw AH151028 M6 x 16 csk. head

Part Number	Cable Acceptance mm	ID mm	Utilux Die No.
F-4648	10	4.7	38-57 Cu
F-4648-1	16	5.5	38-63 Cu
F-4648-2	25	7.1	38-77 Cu
F-4648-3	35	8.4	38-92 Cu

NB: F-4648-3 supplied with Plug

Spare Parts

#	Part Number	Description
1A	F-3339-464	660V Small Gland Body c/w items 1A, 5, 14, 15 & 16
1B	F-3339-414	1100V Small Gland Body c/w items 1B, 5, 14, 15 & 16
2A	F-3342-464	660V Nose Cone
2B	F-3342-414	1100V Nose Cone
2C	F-3342-464SS	660V Nose Cone Stainless Steel
2D	F-3342-414SS	1100V Nose Cone Stainless Steel

#	Part Number	Description
3	F-3340	Interior c/w Earth Lead, Screw and Washer
4	See Table 3	Neoprene Grommet
5	3576B	Clamping Cap
6	F-264L	Protection Cap
7	See Table 2	Phase Thimble
8	F-201-300-1	425A Phase Socket c/w O-ring AI019013
9	AH009868	Screw 1/4" x 2 1/4" skt. head
10	F-3589-1	Pilot Thimble c/w screw AH009834 3/16" x 1 1/4" skt. head
11	F-3138-3	Pilot Socket
12	AH009834	Screw 3/16" x 1 1/4" skt. head
13	F-4648-3	Earth Thimble c/w screw AH151028 M6 x 16 csk. head
14	AI019011	O-ring ID 91.67 x sect. 3.53
15	AH117113	Screw M10 x 40 skt. head
16	AH113116S	Screw M10 x 50 hex. head

**CMI Head Office NSW** | (02) 9807 6155 | F3, 3-29 Birnie Ave, Lidcombe, NSW, 2141 | [nswsales@cmielectrical.com.au](mailto:nswsales@cmielectrical.com.au)  
**CMI QLD-Brisbane**  
(07) 3863 0749  
485A Zillmere Road,  
Zillmere QLD 4034  
[southqldsales@cmielectrical.com.au](mailto:southqldsales@cmielectrical.com.au)

**CMI QLD – Rockhampton**  
(07) 4921 0978  
Shop 3 at 76 Hollingsworth Street,  
North Rockhampton Qld 4701  
[northqldsales@cmielectrical.com.au](mailto:northqldsales@cmielectrical.com.au)

**CMI VIC**  
(03) 9532 1233  
3 Dissik Street,  
Cheltenham VIC 3192  
[vicsales@cmielectrical.com.au](mailto:vicsales@cmielectrical.com.au)

**CMI WA**  
(08) 9358 1788  
36 Division Street,  
Welshpool WA 6106  
[wasaless@cmielectrical.com.au](mailto:wasaless@cmielectrical.com.au)