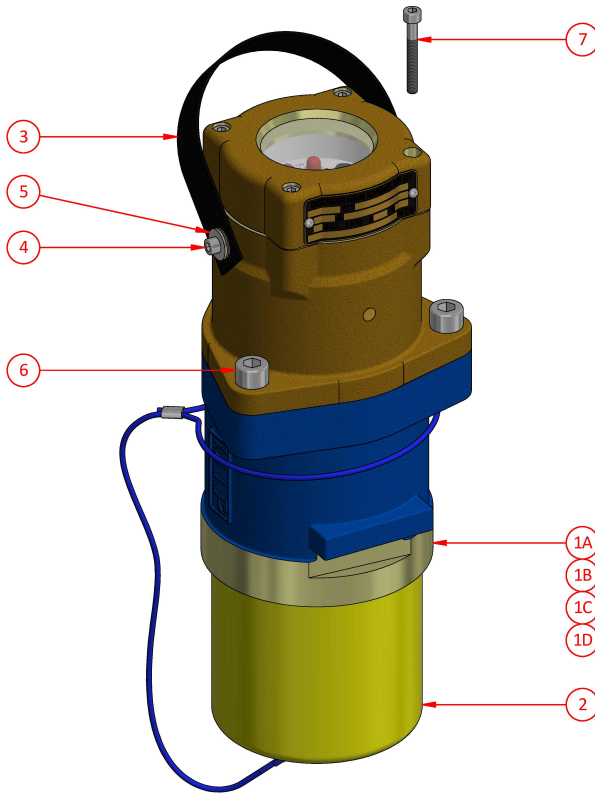


Phase Condition Indicator Plug
 AM361RLA - AM311RLA
 AT364R - AT314R
 AT364RS - AT314RS

300 Amp Series
 660V - 1100V

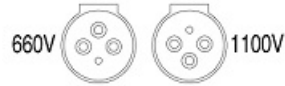


Ordering Procedure

1

Select complete Phase Condition Indicator Plug from Table 1

Table 1



Part Number	Description	Colour
AM361RLA	660V Phase Condition Indicator Plug RTX	Orange
AM311RLA	1100V Phase Condition Indicator Plug RTX	Blue
AT364R	660V Phase Condition Indicator Plug	Orange
AT314R	1100V Phase Condition Indicator Plug	Blue
AT364RS	660V Phase Condition Indicator Plug (Stainless steel nose cone)	Orange
AT314RS	1100V Phase Condition Indicator Plug (Stainless steel nose cone)	Blue

Spare Parts

#	Part Number	Description
1A	F-3342-364	660V Nose Cone
1B	F-3342-314	1100V Nose Cone
1C	F-3342-364SS	660V Nose Cone Stainless Steel
1D	F-3342-314SS	1100V Nose Cone Stainless Steel
2	F-264L	Protection Cap
3	F-AX000400	Handle
4	AH151033	Screw M5 x 16 skt. head
5	AH009251	Washer 3/16"
6	AH117113	Screw M10 x 40 skt. head
7	AH151015	Screw M5 x 40 skt. head

Weight 10kg
 Dimensions L 150mm W 150mm H 410mm
 Compliance Explosion protected to AS/NZS1299 & IEC60079 Series
 Materials Manganese Bronze / Neoprene / Stainless Steel
 IP Rating IP66

CMI Head Office NSW | (02) 9807 6155 | F3, 3-29 Birnie Ave, Lidcombe, NSW, 2141 | nswsales@cmielectrical.com.au
CMI QLD-Brisbane
 (07) 3863 0749
 485A Zillmere Road,
 Zillmere QLD 4034
 southqdsales@cmielectrical.com.au

CMI QLD - Rockhampton
 (07) 4921 0978
 Shop 3 at 76 Hollingsworth Street,
 North Rockhampton Qld 4701
 northqdsales@cmielectrical.com.au

CMI VIC
 (03) 9532 1233
 3 Dissik Street,
 Cheltenham VIC 3192
 vicsales@cmielectrical.com.au

CMI WA
 (08) 9358 1788
 36 Division Street,
 Welshpool WA 6106
 wasales@cmielectrical.com.au