



Receptacle Gland & Bracket 6 Pin
 AV316B3 - AV336B3

300 Amp Series

1100V - 3300V

Ordering Procedure

- 1 Select complete Receptacle Gland & Bracket from Table 1
- 2 Select Phase Thimble from Table 2 (3 required)
- 3 Select Grommet from Table 3

Table 1



Part Number	Description	Colour
AV316B3	1100V Restrained Receptacle Gland & Bracket 6 Pin	Blue
AV336B3	3300V Restrained Receptacle Gland & Bracket 6 Pin	Red

NB: Receptacle Gland & Bracket supplied with Pilot Thimble

Table 2

Phase Thimble- c/w screw AH151026 & O-ring AI019017

Part Number	CSA	ID mm	Utilux Die No.
F-4606-1	35	8.4	38-92 Cu
F-4606-2	50	9.5	38-104 Cu
F-4606-3	70	11.2	38-115 Cu
F-4606-4	95	13.4	38-142 Cu
F-4606-5	120	15.5	38-165 Cu
F-4606-6	150	16.3	38-183 Cu
F-4606-7	185	18.4	38-200 Cu
F-4606-8	185	21.0	38-210 Cu

NB: CSA is indicative only. Use ID for thimble selection

Table 3

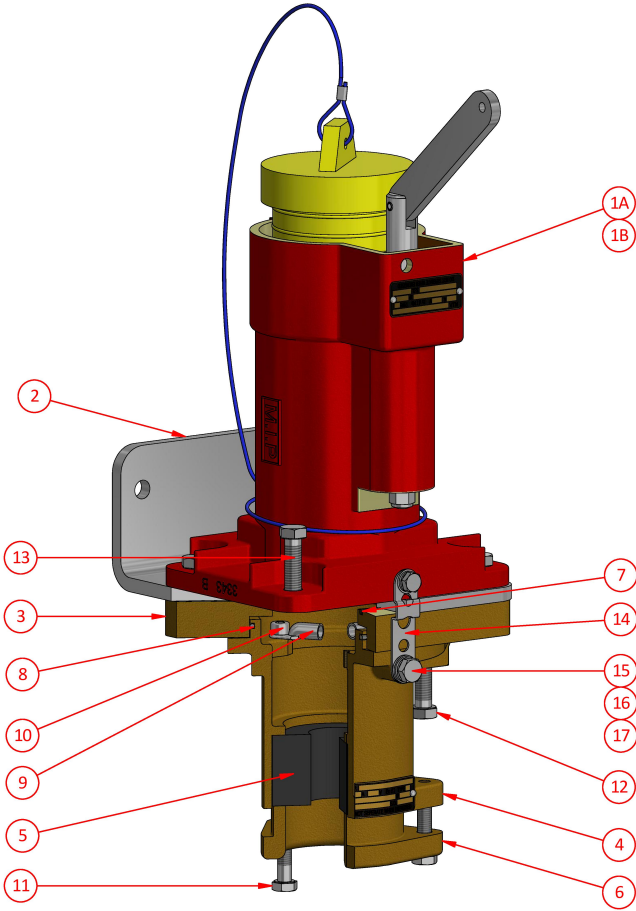
Neoprene Grommets

Part Number	Cable Acceptance mm
3054-25	22.0-25.0
3054-31	24.0-31.0
3054-35	30.0-35.0
3054-38	34.0-38.0
3054-41	37.0-41.0
3054-45	40.0-45.0
3054-47	44.0-47.0
3054-51	46.0-51.0
3054-54	50.0-54.0
3054-57	53.0-57.0
3054-60	56.0-60.0
3054-64	59.0-64.0
3054-67	63.0-67.0
3054-70	66.0-70.0
3054-73	69.0-73.0
3054-76	72.0-76.0

Spare Parts

#	Part Number	Description
1A	AG316B	1100V Restrained Receptacle 6 Pin
1B	AG336B	3300V Restrained Receptacle 6 Pin
2	AV3	Mounting Bracket
3		Spacer Plate c/w O-ring AI019042
4	F-4088T	No. 3 TRS Cable Gland to suit 22.0-76.0mm O.D. Cable
5	See Table 3	Neoprene Grommet
6	3576B	Clamping Cap
7	AI019042	O-ring ID 101.19 x sect. 3.53
8	AI019010	O-ring ID 120.24 x sect. 3.53
9	AH017206	Earth Lug
10	AH115093	Screw M8 x 15 skt. head
11	AH113116S	Screw M10 x 50 hex. head
12	AH113134	Screw M12 x 35 hex. head
13	AH113135	Screw M12 x 50 hex. head
14	201-264-1	Earth Strap
15	AH113111	Screw M10 x 16 hex. head
16	AH151011	Spring Washer M10
17	AH150011	Washer M10

NB: See AG316B - AG336B Page for Receptacle Spare Parts



Weight 33kg
Dimensions L 390mm W 340mm H 340mm
Compliance Explosion protected to AS/NZS1299 & IEC60079 Series
Materials Manganese Bronze / Brass / PTFE
IP Rating IP66/68

Zillmere QLD 4034
southqdsales@cmielectrical.com.au

North Rockhampton Qld 4701
northqdsales@cmielectrical.com.au

Cheltenham VIC 3192
vicsales@cmielectrical.com.au

Welshpool WA 6106
wasales@cmielectrical.com.au