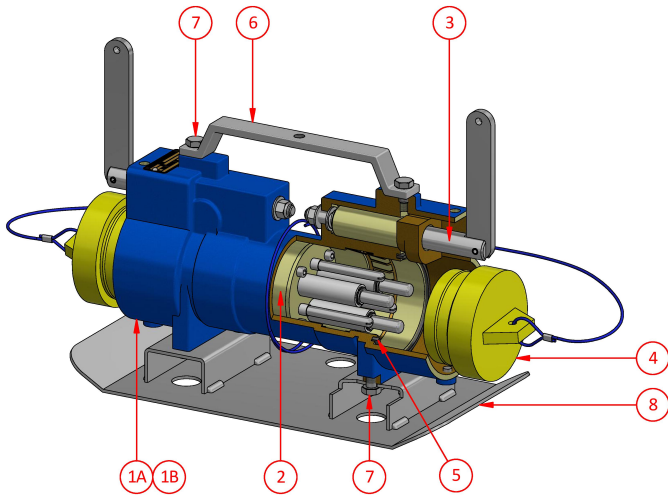




Back to Back Receptacle 6 Pin  
AH316B - AH336B  
AH316BS - AH336BS

300 Amp Series  
1100V - 3300V

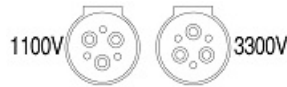


**Weight** 18kg (no skid) 20kg (with skid)  
**Dimensions** L 450mm W 230mm H 300mm  
**Compliance** Explosion protected to AS/NZS1299 & IEC60079 Series  
**Materials** Manganese Bronze / Brass / PTFE  
**IP Rating** IP66/68

Ordering Procedure

- 1 Select complete Back to Back from Table 1

Table 1



Part Number	Description	Colour
AH316B	1100V Back to Back Receptacle 6 Pin	Blue
AH336B	3300V Back to Back Receptacle 6 Pin	Red
AH316BS	1100V Back to Back Receptacle 6 Pin c/w skid	Blue
AH336BS	3300V Back to Back Receptacle 6 Pin c/w skid	Red

Spare Parts

#	Part Number	Description
1A	F-4033-316	1100V Back to Back Body c/w items 1A, 3, 5, 6 & 7
1B	F-4033-336	3300V Back to Back Body c/w items 1B, 3, 5, 6 & 7
2	F-4600-1	Interior c/w screws AH115112 M6 x 16 skt. head
3	F-329	Jacking Screw
4	F-311	Sealing Plug
5	4401-3	Seal
6	4035	Lifting Handle
7	AH113111	Screw M10 x 16 hex. head
8	4043S	Skid Plate

**CMI Head Office NSW** | (02) 9807 6155 | F3, 3-29 Birnie Ave, Lidcombe, NSW, 2141 | [nswsales@cmielectrical.com.au](mailto:nswsales@cmielectrical.com.au)  
**CMI QLD-Brisbane** (07) 3863 0749  
485A Zillmere Road,  
Zillmere QLD 4034  
[southqldsales@cmielectrical.com.au](mailto:southqldsales@cmielectrical.com.au)  
**CMI QLD - Rockhampton** (07) 4921 0978  
Shop 3 at 76 Hollingsworth Street,  
North Rockhampton Qld 4701  
[northqldsales@cmielectrical.com.au](mailto:northqldsales@cmielectrical.com.au)

**CMI VIC** (03) 9532 1233  
3 Dissik Street,  
Cheltenham VIC 3192  
[vic-sales@cmielectrical.com.au](mailto:vic-sales@cmielectrical.com.au)

**CMI WA** (08) 9358 1788  
36 Division Street,  
Welshtpool WA 6106  
[wasa-sales@cmielectrical.com.au](mailto:wasa-sales@cmielectrical.com.au)