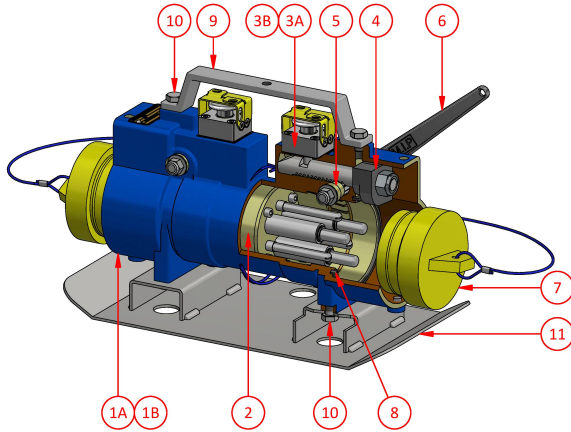




Back to Back Receptacle Quick Release 6 Pin  
 AH316BQR - AH336BQR

300 Amp Series

1100V - 3300V



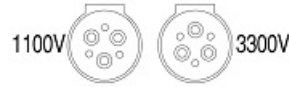
Receptacle shown fitted with "Optional" Lockable Hasp & Skid Plate

**Weight** 18kg (no skid) 20kg (with skid)  
**Dimensions** L 450mm W 230mm H 300mm  
**Compliance** Explosion protected to AS/NZS1299 & IEC60079 Series  
**Materials** Manganese Bronze / Brass / PTFE  
**IP Rating** IP66/68

Ordering Procedure

- 1 Select complete Back to Back from Table 1
- 2 Add Part No. from Table 1 & Options Table together to get Part No. required (See examples shown under the Options Table)

Table 1



Part Number	Description	Colour
AH316BQR	1100V Back to Back Receptacle Quick Release 6 Pin	Blue
AH336BQR	3300V Back to Back Receptacle Quick Release 6 Pin	Red

Options

Part Number	Description
S	Skid Plate
L	Lockable Hasp

Examples: AH316BQRS, AH316BQRL, AH316BQRSL

Spare Parts

#	Part Number	Description
1A	F-4033QR-316	1100V QR Back to Back Body c/w items 1A, 3, 4, 5, 8, 9 & 10
1B	F-4033QR-336	3300V QR Back to Back Body c/w items 1B, 3, 4, 5, 8, 9 & 10
2	F-4600-1	Interior c/w screws AH115112 M6 x 16 skt. head
3A	F-459	Q/R Locking Mechanism c/w screws AH009860 1/4" x 1" skt. head
3B	F-459L	Q/R Locking Mechanism c/w Lockable Hasp & AH009860 1/4" x 1" skt. head
4	F-460	Q/R Rack
5	F-482	Q/R Pinion c/w Handle
6	4285	Q/R Handle
7	F-311	Sealing Plug
8	4401-3	Seal
9	4035	Lifting Handle
10	AH113111	Screw M10 x 16 hex. head
11	4043S	Skid Plate

**CMi Head Office NSW** | (02) 9807 6155 | F3, 3-29 Birnie Ave, Lidcombe, NSW, 2141 | nswsales@cmielectrical.com.au  
**CMi QLD-Brisbane**  
 (07) 3863 0749  
 485A Zillmere Road,  
 Zillmere QLD 4034  
 southqdsales@cmielectrical.com.au

**CMi QLD - Rockhampton**  
 (07) 4921 0978  
 Shop 3 at 76 Hollingsworth Street,  
 North Rockhampton Qld 4701  
 northqdsales@cmielectrical.com.au

**CMi VIC**  
 (03) 9532 1233  
 3 Dissik Street,  
 Cheltenham VIC 3192  
 vicsales@cmielectrical.com.au

**CMi WA**  
 (08) 9358 1788  
 36 Division Street,  
 Welshpool WA 6106  
 wasales@cmielectrical.com.au