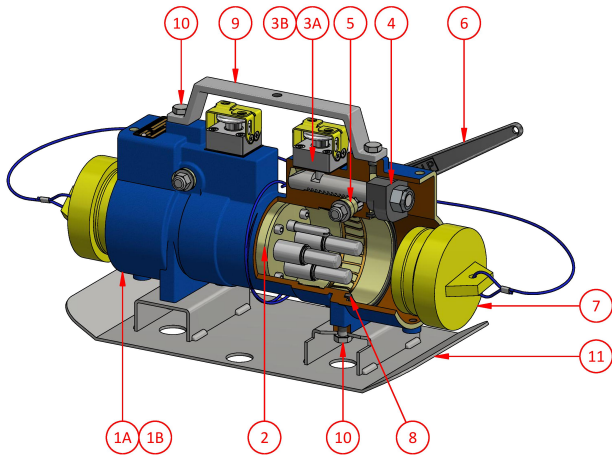




Back to Back Receptacle Quick Release
 AH364BQR - AH314BQR

300 Amp Series

660V - 1100V



Receptacle shown fitted with "Optional" Lockable Hasp & Skid Plate

Weight 18kg (no skid) 20kg (with skid)
Dimensions L 450mm W 230mm H 300mm
Compliance Explosion protected to AS/NZS1299 & IEC60079 Series
Materials Manganese Bronze / Brass / PTFE
IP Rating IP66/68

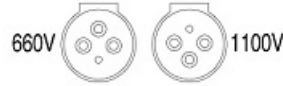
Ordering Procedure

- 1
- 2

Select complete Back to Back from Table 1

Add Part No. from Table 1 & Options Table together to get Part No. required (See examples shown under the Options Table)

Table 1



Part Number	Description	Colour
AH364BQR	660V Back to Back Receptacle Quick Release	Orange
AH314BQR	1100V Back to Back Receptacle Quick Release	Blue

Options

Part Number	Description
S	Skid Plate
L	Lockable Hasp

Examples: AH364BQRSL, AH364BQRLL, AH364BQRSL

Spare Parts

#	Part Number	Description
1A	F-403QR-364	660V QR Back to Back Body c/w items 1A, 3, 4, 5, 8, 9 & 10
1B	F-403QR-314	1100V QR Back to Back Body c/w items 1B, 3, 4, 5, 8, 9 & 10
2	F-4585-1	Interior c/w screws AH115112 M6 x 16 skt. head
3A	F-459	Q/R Locking Mechanism c/w screws AH009860 1/4" x 1" skt. head
3B	F-459L	Q/R Locking Mechanism c/w Lockable Hasp & AH009860 1/4" x 1" skt. head
4	F-460	Q/R Rack
5	F-482	Q/R Pinion c/w Handle
6	4285	Q/R Handle
7	F-311	Sealing Plug
8	4401-3	Seal
9	4035	Lifting Handle
10	AH113111	Screw M10 x 16 hex. head
11	4043S	Skid Plate

CMI Head Office NSW | (02) 9807 6155 | F3, 3-29 Birnie Ave, Lidcombe, NSW, 2141 | nswsales@cmielectrical.com.au
CMI QLD-Brisbane
 (07) 3863 0749
 485A Zillmere Road,
 Zillmere QLD 4034
southqdsales@cmielectrical.com.au

CMI QLD - Rockhampton
 (07) 4921 0978
 Shop 3 at 76 Hollingsworth Street,
 North Rockhampton Qld 4701
northqdsales@cmielectrical.com.au

CMI VIC
 (03) 9532 1233
 3 Dissik Street,
 Cheltenham VIC 3192
vicsales@cmielectrical.com.au

CMI WA
 (08) 9358 1788
 36 Division Street,
 Welshpool WA 6106
walesales@cmielectrical.com.au