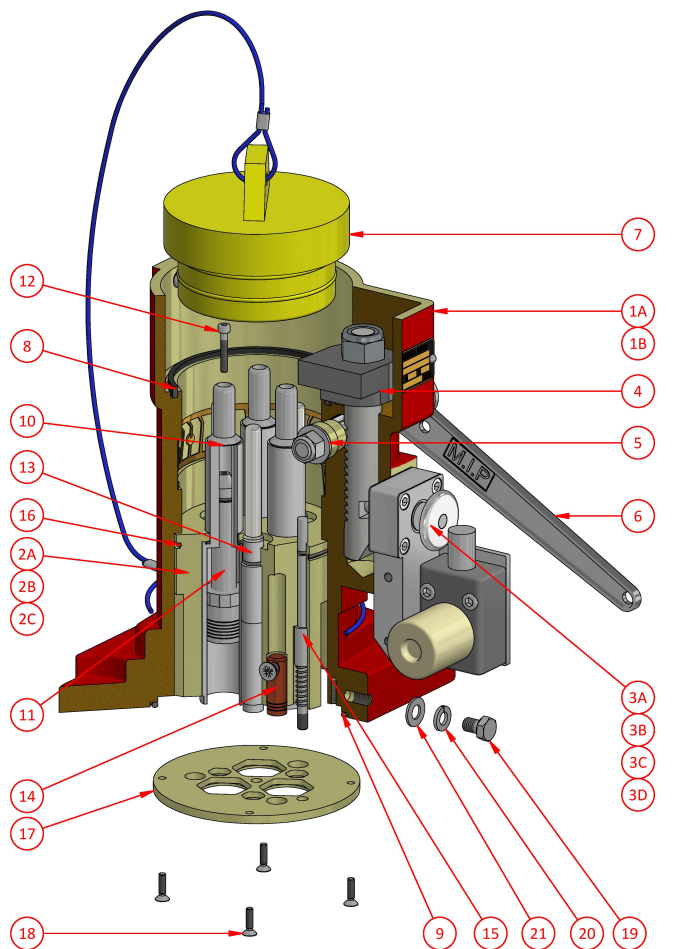


Receptacle Quick Release 6 Pin
AG316BQR - AG336BQR

300 Amp Series

1100V - 3300V



Receptacle shown fitted with "Optional" Side Key Operated Locking Mechanism & Actuator

Weight 20kg
Dimensions L 220mm W 220mm H 330mm
Compliance Explosion protected to AS/NZS1299 & IEC60079 Series
Materials Manganese Bronze / Brass / PTFE
IP Rating IP66/68

Ordering Procedure

- 1 Select complete Receptacle from Table 1
- 2 Select Phase Thimble from Table 2 (3 Required)
- 3 Add Part No. from Table 1 & Options Table together to get Part No. required (See examples shown under the Options Table)

Table 1



Part Number	Description	Colour
AG316BQR	1100V Restrained Receptacle Quick Release 6 Pin	Blue
AG336BQR	3300V Restrained Receptacle Quick Release 6 Pin	Red

NB: Receptacle supplied with Pilot Thimble. Key lock as shown is not supplied.

Table 2

Phase Thimble c/w screw AH151026 & O-ring A1019017

Part Number	CSA	ID mm	Utilux Die No.
F-4606-1	35	8.4	38-92 Cu
F-4606-2	50	9.5	38-104 Cu
F-4606-3	70	11.2	38-115 Cu
F-4606-4	95	13.4	38-142 Cu
F-4606-5	120	15.5	38-165 Cu
F-4606-6	150	16.3	38-183 Cu
F-4606-7	185	18.4	38-200 Cu
F-4606-8	185	21.0	38-210 Cu

NB: CSA is indicative only. Use ID for thimble selection

Options

Part Number	Description
A	Actuator
F	Bracket for Front Key Operated Locking Mechanism
S	Bracket for Side Key Operated Locking Mechanism
L	Lockable Hasp

Examples: AG316BQRA, AG316BQRF, AG316BQRL, AG316BQRAF, AG316BQRAL

Spare Parts

#	Part Number	Description
1A		1100V Receptacle Body c/w items 1A, 3A, 5, 6, 8, 9, 20, 21 & 22
1B		3300V Receptacle Body c/w items 1B, 3A, 5, 6, 8, 9, 20, 21 & 22
2A	F-4613	Interior c/w O-ring, Earth Thimbles, Retaining Plate & Screws
2B	F-4613A	Interior c/w O-ring, Actuator, Earth Thimbles, Retaining Plate & Screws
2C	F-4613KIT(300-425A-6PIN)	Interior Service Kit c/w O-rings, Insulators, Pilot Pin Assy's, Retaining Plate & Screws
3A	F-459	Q/R Locking Mechanism c/w screws AH009860 1/4" x 1" skt. head
3B	F-459F	Q/R Locking Mechanism c/w Mounting Bracket (front key operated) & screws AH009860 1/4" x 1" skt. head
3C	F-459S	Q/R Locking Mechanism c/w Mounting Bracket (side key operated) & screws AH009860 1/4" x 1" skt. head
3D	F-459L	Q/R Locking Mechanism c/w Lockable Hasp & AH009860 1/4" x 1" skt. head
4	F-460	Q/R Rack
5	F-482	Q/R Pinion c/w Handle
6	4285	Q/R Handle
7	F-311	Sealing Plug
8	4401-3	Seal
9	A1019010	O-ring ID 120.24 x sect. 3.53
10		Phase Pin
11	See Table 2	Phase Thimble
12	AH151026	Screw M4 x 25 skt. head
13	F-853-3	Pilot Pin & Thimble Assembly w/ Insulator & O-ring
14	F-4648-3	Earth Thimble c/w screw AH151028 M6 x 16 csk. head
15	F-4618	Actuator c/w O-ring A1019051 & Spring 4619
16	A1019048	O-ring ID 94.92 x sect. 2.62
17	4614	Interior Retaining Plate
18	AH151022	Screw M4 x 16 csk. head
19	AH113091	Screw M8 x 10 hex. head
20	AH009363	Spring Washer 5/16"
21	AH009277	Washer 5/16"