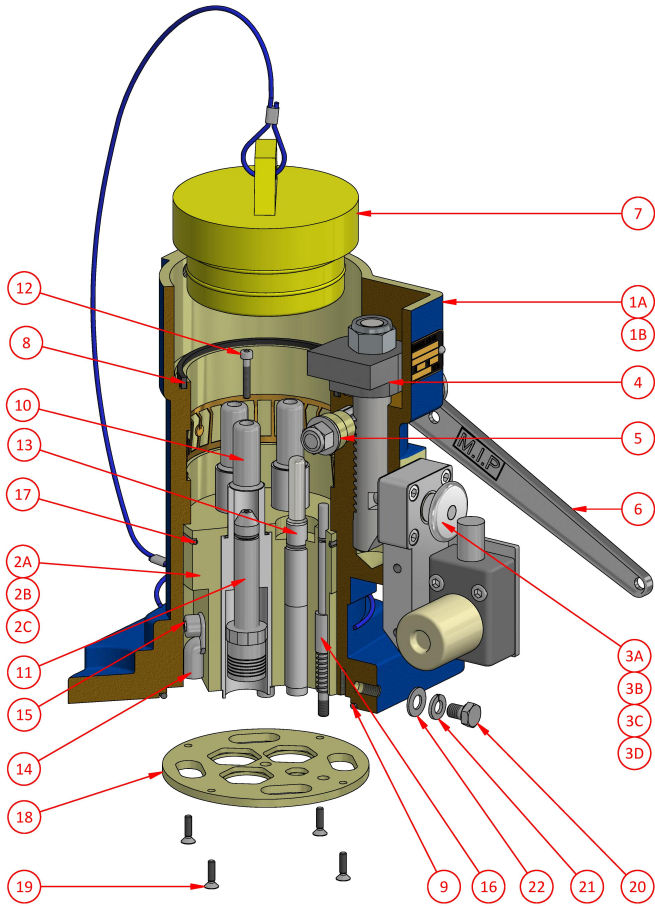


Receptacle Quick Release
AG364BQR - AG314BQR

300 Amp Series

600V - 1100V



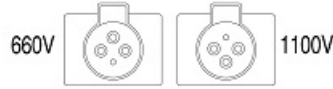
Receptacle shown fitted with "Optional" Side Key Operated Locking Mechanism & Actuator

Weight 20kg
Dimensions L 220mm W 220mm H 330mm
Compliance Explosion protected to AS/NZS1299 & IEC60079 Series
Materials Manganese Bronze / Brass / PTFE
IP Rating IP66/68

Ordering Procedure

- 1 Select complete Receptacle from Table 1
- 2 Select Phase Thimble from Table 2 (3 Required)
- 3 Add Part No. from Table 1 & Options Table together to get Part No. required (See examples shown under the Options Table)

Table 1



Part Number	Description	Colour
AG364BQR	660V Restrained Receptacle Quick Release	Orange
AG314BQR	1100V Restrained Receptacle Quick Release	Blue

NB: Receptacle supplied with Pilot Thimble. Key lock as shown is not supplied.

Table 2

Phase Thimble - c/w screw AH151026 & O-ring AI019017

Part Number	CSA	ID mm	Utilux Die No.
F-4606-1	35	8.4	38-92 Cu
F-4606-2	50	9.5	38-104 Cu
F-4606-3	70	11.2	38-115 Cu
F-4606-4	95	13.4	38-142 Cu
F-4606-5	120	15.5	38-165 Cu
F-4606-6	150	16.3	38-183 Cu
F-4606-7	185	18.4	38-200 Cu
F-4606-8	185	21.0	38-210 Cu

NB: CSA is indicative only. Use ID for thimble selection

Options

Part Number	Description
A	Actuator
F	Bracket for Front Key Operated Locking Mechanism
S	Bracket for Side Key Operated Locking Mechanism
L	Lockable Hasp

Examples: AG364BQRA, AG364BQRF, AG364BQRL, AG364BQRAF, AG364BQRAL

Spare Parts

#	Part Number	Description
1A	660V Receptacle Body c/w items 1A, 3A, 4, 5, 8, 9, 21, 22 & 23	
1B	1100V Receptacle Body c/w items 1B, 3A, 4, 5, 8, 9, 21, 22 & 23	
2A	F-4602 Interior c/w O-ring, Earth Lugs, Retaining Plate & Screws	
2B	F-4602A Interior c/w O-ring, Actuator, Earth Lugs, Retaining Plate & Screws	
2C	F-4602KIT(300A-4PIN) Interior Service Kit c/w O-rings, Insulators, Pilot Pin Assy, Retaining Plate & Screws	
3A	F-459 Q/R Locking Mechanism c/w screws AH009860 1/4" x 1" skt. head	
3B	F-459F Q/R Locking Mechanism c/w Mounting Bracket (front key operated) & screws AH009860 1/4" x 1" skt. head	
3C	F-459S Q/R Locking Mechanism c/w Mounting Bracket (side key operated) & screws AH009860 1/4" x 1" skt. head	
3D	F-459L Q/R Locking Mechanism c/w Lockable Hasp & AH009860 1/4" x 1" skt. head	
4	F-460 Q/R Rack	
5	F-482 Q/R Pinion c/w Handle	
6	4285 Q/R Handle	
7	F-311 Sealing Plug	
8	4401-3 Seal	
9	AI019010 O-ring ID 120.24 x sect. 3.53	
10	Phase Pin	
11	See Table 2 Phase Thimble	
12	AH151026 Screw M4 x 25 skt. head	
13	F-853-1 Pilot Pin & Thimble Assembly c/w Insulator & O-ring	
14	AH017206 Earth Lug	
15	AH151027 Screw M8 x 12 skt. head	
16	F-4618 Actuator c/w O-ring AI019051 & Spring 4619	
17	AI019048 O-ring ID 94.92 x sect. 2.62	
18	4612 Interior Retaining Plate	
19	AH151022 Screw M4 x 16 csk. head	
20	AH113091 Screw M8 x 10 hex. head	
21	AH009363 Spring Washer 5/16"	
22	AH009277 Washer 5/16"	