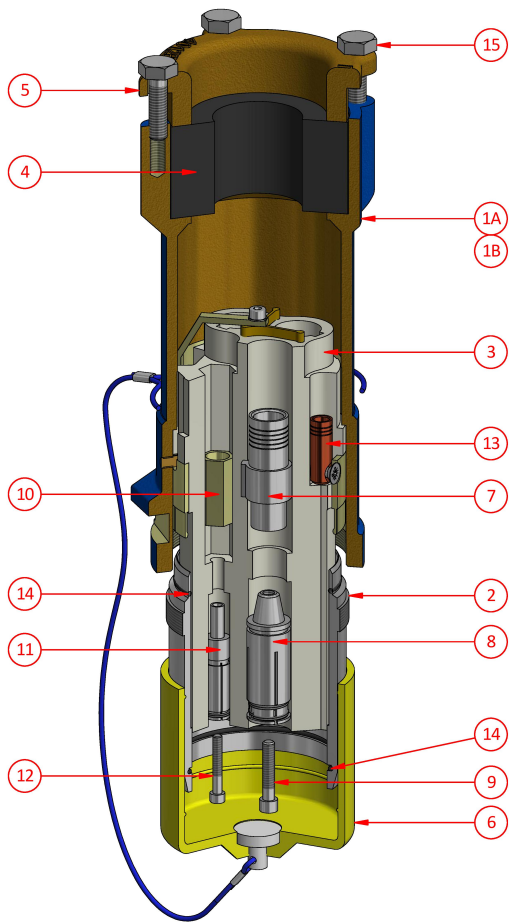


Restrained Plug Integral Gland
 AF364S - AF314S

300 Amp Series

660V - 1100V



Weight
 Dimensions
 Compliance
 Materials
 IP Rating

10kg
 L 150mm W 150mm H 410mm
 Explosion protected to AS/NZS1299 & IEC60079 Series
 Manganese Bronze / Polyester / Stainless Steel
 IP66/68

Ordering Procedure

- 1 Select complete Plug from Table 1
- 2 Select Phase Thimble from Table 2 (3 Required)
- 3 Select Grommet from Table 3

Table 1



Part Number	Description	Colour
AF364S	660V Restrained Plug	Orange
AF314S	1100V Restrained Plug	Blue

NB: Plug supplied with Pilot Thimble

Table 2

Phase Thimble - c/w screw AH009861 1/4" x 1 1/4" skt. head

Part Number	CSA	ID mm	Utilux Die No.
F-3838-4	35	10.0	38-115 Cu
F-3838-5	50	11.0	38-115 Cu
F-3838-6	70	13.5	38-142 Cu
F-3838-7	95	14.5	38-165 Cu
F-3838-8	120	16.6	38-165 Cu
F-3838-9	150	18.0	38-183 Cu
F-3838-10	185	20.7	Solder Only

NB: CSA is indicative only. Use ID for thimble selection

Table 3

Neoprene Grommets

Part Number	Cable Acceptance mm
3054-25	22.0-25.0
3054-31	24.0-31.0
3054-35	30.0-35.0
3054-38	34.0-38.0
3054-41	37.0-41.0
3054-45	40.0-45.0
3054-47	44.0-47.0
3054-51	46.0-51.0
3054-54	50.0-54.0
3054-57	53.0-57.0
3054-60	56.0-60.0
3054-64	59.0-64.0
3054-67	63.0-67.0
3054-70	66.0-70.0
3054-73	69.0-73.0

Options

Earth Thimble - c/w screw AH151037 M6 x 12 csk. head

Part Number	Cable Acceptance mm	ID mm	Utilux Die No.
F-4648S	10	4.7	38-57 Cu
F-4648-1S	16	5.5	38-63 Cu
F-4648-2S	25	7.1	38-77 Cu
F-4648-3S	35	8.4	38-92 Cu

NB: F-4648-3S supplied with Plug

Spare Parts

#	Part Number	Description
1A	F-4002-364	660V Plug Body c/w items 1A, 5 & 15
1B	F-4002-314	1100V Plug Body c/w items 1B, 5 & 15
2	F-4011SS	Earth Sleeve c/w O-ring A1019023
3	F-4010-1	Interior c/w Earth Thimble, Earth Ring, Strap, Screw & Washer
4	See Table 3	Neoprene Grommet
5	4012B	Clamping Cap
6	F-264L	Protection Cap
7	See Table 2	Phase Thimble
8	F-3837	Phase Socket c/w O-ring A1019032
9	AH009861	Screw 1/4" x 1 1/4" skt. head
10	F-3984	Pilot Thimble c/w screw AH009834 3/16" x 1 1/4" skt. head
11	F-3138-2	Pilot Socket c/w O-ring A1019030

#	Part Number	Description
12	AH009834	Screw 3/16" x 1 1/4" skt. head
13	F-4648-3S	Earth Thimble c/w screw AH151037 M6 x 12 csk. head
14	A1019023	O-ring ID 82.22 x sect. 2.62
15	AH113140	Screw M10 x 35 hex. head

CMI Head Office NSW | (02) 9807 6155 | F3, 3-29 Birnie Ave, Lidcombe, NSW, 2141 | nswsales@cmielectrical.com.au
CMI QLD-Brisbane
(07) 3863 0749
485A Zillmere Road,
Zillmere QLD 4034
southqdsales@cmielectrical.com.au

CMI QLD – Rockhampton
(07) 4921 0978
Shop 3 at 76 Hollingsworth Street,
North Rockhampton Qld 4701
northqdsales@cmielectrical.com.au

CMI VIC
(03) 9532 1233
3 Dissik Street,
Cheltenham VIC 3192
vicsales@cmielectrical.com.au

CMI WA
(08) 9358 1788
36 Division Street,
Welshpool WA 6106
wasaless@cmielectrical.com.au