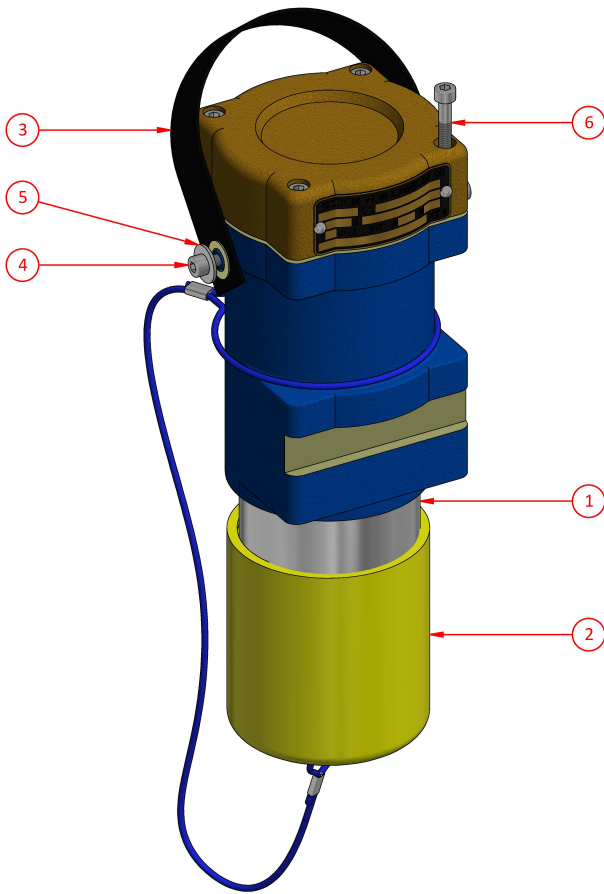


Dummy Plug with Pilot Diode
AR161R - AR111R

150 Amp Series

660V - 1100V

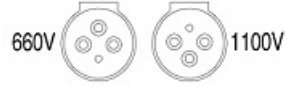


Ordering Procedure

1

Select complete Dummy Plug from Table 1

Table 1



Part Number	Description	Colour
AR161R	660V Dummy Plug with Pilot Diode	Orange
AR111R	1100V Dummy Plug with Pilot Diode	Blue

Spare Parts

#	Part Number	Description
1	3558SS	Earth Sleeve
2	F-274L	Protection Cap
3	F-AX000400	Handle
4	AH151033	Screw M5 x 16 skt. head
5	AH009251	Washer 3/16"
6	AH151015	Screw M5 x 40 skt. head

Weight 6kg
Dimensions L 120mm W 120mm H 320mm
Compliance Explosion protected to AS/NZS1299 & IEC60079 Series
Materials Manganese Bronze / Neoprene / Stainless Steel
IP Rating IP66

CMI Head Office NSW | (02) 9807 6155 | F3, 3-29 Birnie Ave, Lidcombe, NSW, 2141 | nswsales@cmielectrical.com.au
CMI QLD-Brisbane
 (07) 3863 0749
 485A Zillmere Road,
 Zillmere QLD 4034
southqdsales@cmielectrical.com.au

CMI QLD - Rockhampton
 (07) 4921 0978
 Shop 3 at 76 Hollingsworth Street,
 North Rockhampton Qld 4701
northqdsales@cmielectrical.com.au

CMI VIC
 (03) 9532 1233
 3 Dissik Street,
 Cheltenham VIC 3192
vicsales@cmielectrical.com.au

CMI WA
 (08) 9358 1788
 36 Division Street,
 Welshpool WA 6106
wasaless@cmielectrical.com.au