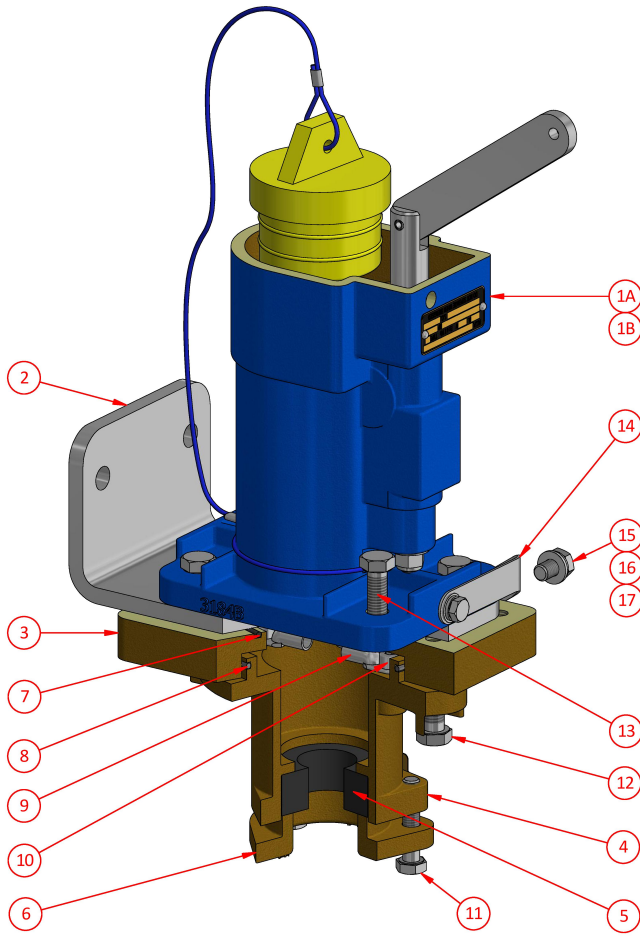


Receptacle Gland & Bracket
AV164B2 - AV114B2

150 Amp Series

660V - 1100V

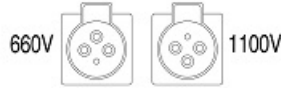


Weight 26kg
Dimensions L 400mm W 360mm H 370mm
Compliance Explosion protected to AS/NZS1299 & IEC60079 Series
Materials Manganese Bronze / Brass / PTFE
IP Rating IP66/68

Ordering Procedure

- 1 Select complete Receptacle Gland & Bracket from Table 1
- 2 Select Phase Thimble from Table 2 (3 Required)
- 3 Select Grommet from Table 3

Table 1



Part Number	Description	Colour
AV164B2	660V Restrained Receptacle Gland & Bracket	Orange
AV114B2	1100V Restrained Receptacle Gland & Bracket	Blue

NB: Receptacle Gland & Bracket supplied with Pilot Thimble

Table 2

Phase Thimble - c/w screw AH151021 M4 x 40 skt. head

Part Number	CSA	ID mm	Utilux Die No.
F-4626	6	3.7	38-44 Cu
F-4626-0	16	5.5	38-63 Cu
F-4626-1	25	7.1	38-77 Cu
F-4626-2	35	8.4	38-92 Cu
F-4626-3	50	9.5	38-104 Cu
F-4626-4	70	11.2	38-115 Cu
F-4626-5	95	13.4	38-142 Cu

NB: CSA is indicative only. Use ID for final selection

Table 3

Neoprene Grommets

Part Number	Cable Acceptance mm
3137-25	21.0-25.0
3137-28	24.0-28.0
3137-32	27.0-32.0
3137-35	31.0-35.0
3137-38	34.0-38.0
3137-41	37.0-41.0
3137-44	40.0-44.0
3137-48	43.0-48.0
3137-51	47.0-51.0
3137-54	50.0-54.0
3137-57	53.0-57.0

Options

Earth Thimble - c/w screw AH151037 M6 x 12 csk. head

Part Number	Cable Acceptance mm	ID mm	Utilux Die No.
F-4648S	10	4.7	38-57 Cu
F-4648-1S	16	5.5	38-63 Cu
F-4648-2S	25	7.1	38-77 Cu
F-4648-3S	35	8.4	38-92 Cu
F-4648-4S	50	10.0	Solder Only

NB: F-4648-2S supplied with Receptacle Gland & Bracket

Spare Parts

#	Part Number	Description
1A	AG164B	660V Restrained Receptacle
1B	AG114B	1100V Restrained Receptacle
2	AV1	Mounting Bracket
3		Spacer Plate c/w O-ring AI019042
4	F-4087T	No. 2 TRS Cable Gland to suit 21.0-54.0mm O.D. Cable
5	See Table 3	Neoprene Grommet
6	3136B	Clamping Cap
7	AI019042	O-ring ID 101.19 x sect. 3.53
8	AI019010	O-ring ID 120.24 x sect. 3.53
9	AH017206	Earth Lug
10	AH115111	Screw M8 x 12 skt. head
11	AH11316S	Screw M10 x 50 hex. head
12	AH113134	Screw M12 x 35 hex. head
13	AH113157	Screw M12 x 40 hex. head
14	201-264-2	Earth Strap

#	Part Number	Description
15	AH113111	Screw M10 x 16 hex. head
16	AH151011	Spring Washer M10
17	AH150011	Washer M10

NB: See AG164B - AG114B Page for Receptacle Spare Parts

CMI Head Office NSW | (02) 9807 6155 | F3, 3-29 Birnie Ave, Lidcombe, NSW, 2141 | nswsales@cmielectrical.com.au
CMI QLD-Brisbane
(07) 3863 0749
485A Zillmere Road,
Zillmere QLD 4034
southqldsales@cmielectrical.com.au

CMI QLD – Rockhampton
(07) 4921 0978
Shop 3 at 76 Hollingsworth Street,
North Rockhampton Qld 4701
northqldsales@cmielectrical.com.au

CMI VIC
(03) 9532 1233
3 Dissik Street,
Cheltenham VIC 3192
vicsales@cmielectrical.com.au

CMI WA
(08) 9358 1788
36 Division Street,
Welshpool WA 6106
wasales@cmielectrical.com.au