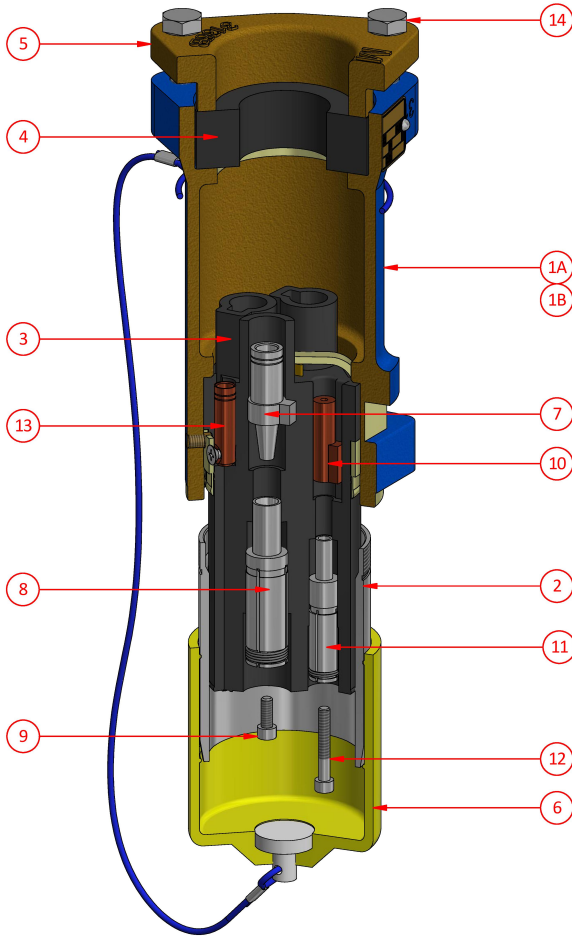




Restrained Plug Integral Gland
AF164R - AF114R

150 Amp Series

660V - 1100V



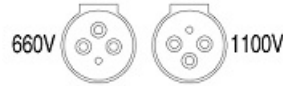
Weight
Dimensions
Compliance
Materials
IP Rating

6kg
L 120mm W 120mm H 320mm
Explosion protected to AS/NZS1299 & IEC60079 Series
Manganese Bronze / Neoprene / Stainless Steel
IP66/68

Ordering Procedure

- 1 Select complete Plug from Table 1
- 2 Select Phase Thimble from Table 2 (3 Required)
- 3 Select Grommet from Table 3

Table 1



Part Number	Description	Colour
AF164R	660V Restrained Plug	Orange
AF114R	1100V Restrained Plug	Blue

NB: Plug supplied with Pilot Thimble

Table 2

Phase Thimble - c/w screw AH009852 3/16" x 1/2" skt. head

Part Number	CSA	ID mm	Utilux Die No.
F-3587-1F	25	8.0	38-92 Cu
F-3587-2F	35	9.1	38-115 Cu
F-3587-3F	50	10.2	38-115 Cu
F-3587-4F	70	12.7	38-127 Cu
F-3587-5F	95	14.3	Solder Only

NB: CSA is indicative only. Use ID for thimble selection

Table 3

Neoprene Grommets

Part Number	Cable Acceptance mm
3137-25	21.0-25.0
3137-28	24.0-28.0
3137-32	27.0-32.0
3137-35	31.0-35.0
3137-38	34.0-38.0
3137-41	37.0-41.0
3137-44	40.0-44.0
3137-48	43.0-48.0
3137-51	47.0-51.0
3137-54	50.0-54.0
3137-57	53.0-57.0

Options

Earth Thimble - c/w screw AH151040 M4 x 8 csk. head

Part Number	Cable Acceptance mm	ID mm	Utilux Die No.
F-4667	10	4.7	38-57 Cu
F-4667-1	16	5.5	38-63 Cu
F-4667-2	25	7.1	38-77 Cu

NB: F-4667-2 supplied with Plug

Spare Parts

#	Part Number	Description
1A	F-3135-164	660V Plug Body c/w items 1A, 5 & 14
1B	F-3135-114	1100V Plug Body c/w items 1B, 5 & 14
2	3558SS	Earth Sleeve
3	F-3570-1	Interior c/w Earth Thimble, Earth Ring, Strap & Screw
4	See Table 3	Neoprene Grommet
5	3136B	Clamping Cap
6	F-274L	Protection Cap
7	See Table 2	Phase Thimble
8	F-3139	Phase Socket
9	AH009852	Screw 3/16" x 1/2" skt. head
10	F-3589-1	Pilot Thimble c/w screw AH009834 3/16" x 1/4" skt. head
11	F-3138-2	Pilot Socket c/w O-ring AI019030
12	AH009834	Screw 3/16" x 1/4" skt. head
13	F-4667-2	Earth Thimble c/w screw AH151040 M4 x 8 csk. head
14	AH113115	Screw M10 x 40 hex. head

485A Zillmere Road,
Zillmere QLD 4034
southqdsales@cmielectrical.com.au

Shop 3 at 76 Hollingsworth Street,
North Rockhampton Qld 4701
northqdsales@cmielectrical.com.au

3 Dissik Street,
Cheltenham VIC 3192
vic-sales@cmielectrical.com.au

36 Division Street,
Welshtpool WA 6106
wasales@cmielectrical.com.au