

Ordering Procedure

- 1 Select complete Receptacle from Table 1

Table 1

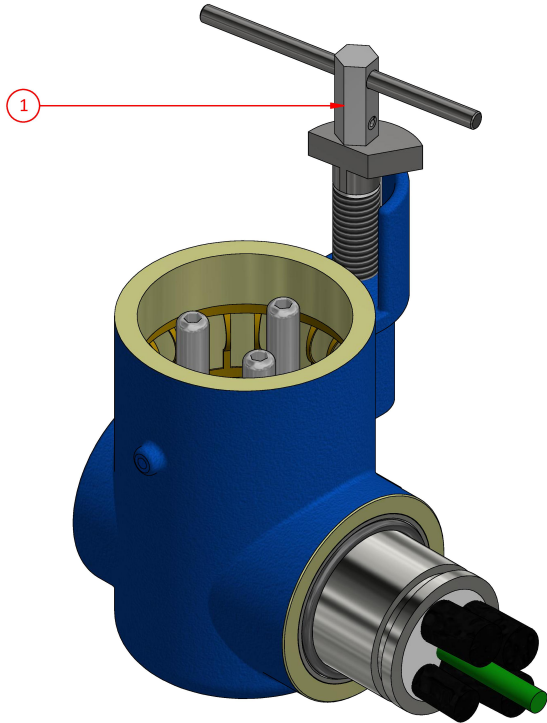


Part Number	Description	Colour
AG214BL	1100V Restrained Cable Reel Receptacle Left Hand	Blue
AG214BR	1100V Restrained Cable Reel Receptacle Right Hand	Blue

NB: Receptacle supplied with 0.6mtr 35mmsq Tails

Spare Parts

#	Part Number	Description
1	F-017	Jacking Screw



Weight 5kg
Dimensions L 245mm W 130mm H 250mm
Compliance Explosion protected to AS/NZS1299 & IEC60079 Series
Materials Manganese Bronze / PTFE
IP Rating IP66

CMI Head Office NSW | (02) 9807 6155 | F3, 3-29 Birnie Ave, Lidcombe, NSW, 2141 | nswsales@cmielectrical.com.au
CMI QLD-Brisbane
 (07) 3863 0749
 485A Zillmere Road,
 Zillmere QLD 4034
southqdsales@cmielectrical.com.au

CMI QLD - Rockhampton
 (07) 4921 0978
 Shop 3 at 76 Hollingsworth Street,
 North Rockhampton Qld 4701
northqdsales@cmielectrical.com.au

CMI VIC
 (03) 9532 1233
 3 Dissik Street,
 Cheltenham VIC 3192
vicsales@cmielectrical.com.au

CMI WA
 (08) 9358 1788
 36 Division Street,
 Welshpool WA 6106
wasaes@cmielectrical.com.au