

Restrained Cable Reel Plug
AF264RB - AF214RB

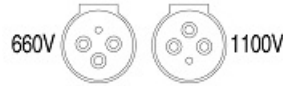
125 Amp Series

660V - 1100V

Ordering Procedure

- 1 Select complete Plug from Table 1
- 2 Select Phase Thimble from Table 2 (3 Required)
- 3 Select Grommet from Table 3

Table 1



Part Number	Description	Colour
AF264RB	660V Restrained Cable Reel Plug	Orange
AF214RB	1100V Restrained Cable Reel Plug	Blue

NB: Plug supplied with Pilot Thimble

Table 2

Phase Thimble - c/w screw AH009852 3/16" x 1/2" skt. head

Part Number	CSA	ID mm	Utilux Die No.
F-3851-0	10	5.0	38-57 Cu
F-3851-1	16	6.2	38-74 Cu
F-3851-2	25	8.0	38-92 Cu
F-3851-3	35	9.2	38-115 Cu
F-3851-4	50	10.2	38-115 Cu

NB: CSA is indicative only. Use ID for final selection

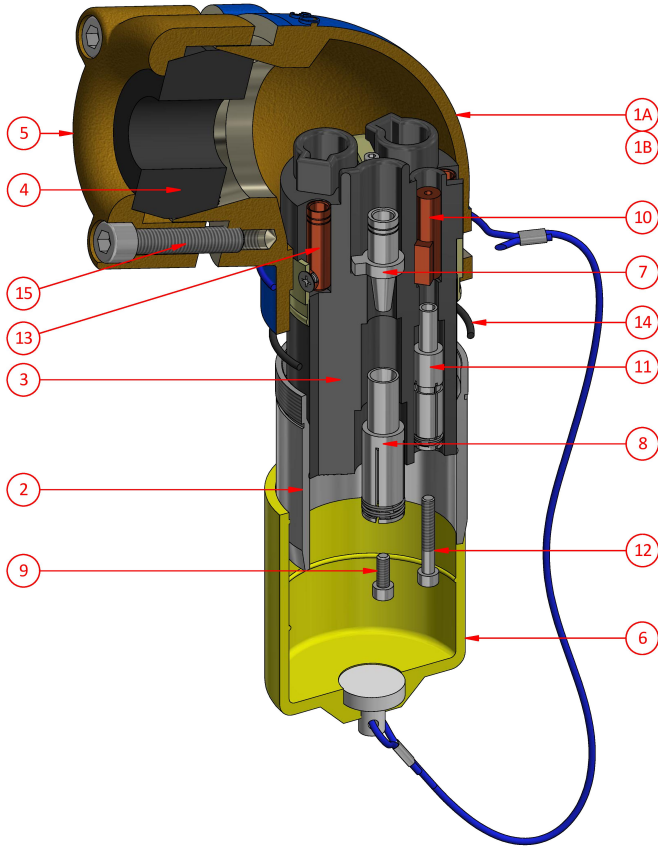
Table 3

Neoprene Grommets

Part Number	Cable Acceptance mm
201-341-25	21.0-25.0
201-341-28	24.0-28.0
201-341-32	27.0-32.0
201-341-35	31.0-35.0
201-341-38	34.0-38.0
201-341-41	37.0-41.0
201-341-44	40.0-44.0
201-341-48	43.0-48.0

Spare Parts

#	Part Number	Description
1A	F-3000B-264	660V Plug Body c/w items 1A, 5 & 15
1B	F-3000B-214	1100V Plug Body c/w items 1B, 5 & 15
2	4719	Earth Sleeve
3	F-3850-1	Interior c/w Earth Ring, Earth Thimbles, Strap & Screw
4	See Table 3	Neoprene Grommet
5	201-338-1B	Clamping Cap
6	F-274L	Protection Cap
7	See Table 2	Phase Thimble
8	F-3013	Phase Socket
9	AH009852	Screw 3/16" x 1/2" skt. head
10	F-3589-1	Pilot Thimble c/w screw AH009834 3/16" x 1/4" skt. head
11	F-3015	Pilot Socket
12	AH009834	Screw 3/16" x 1/4" skt. head
13	F-4667-2	Earth Thimble c/w screw AH151040 M4 x 8 csk. head
14	A1019003	O-ring ID 63.17 x sect. 2.62
15	AH151017	Screw M10 x 50 skt. head



Weight 6kg
Dimensions L 215mm W 100mm H 165mm
Compliance Explosion protected to AS/NZS1299 & IEC60079 Series
Materials Manganese Bronze / Neoprene / Stainless Steel
IP Rating IP66

CMI Head Office NSW | (02) 9807 6155 | F3, 3-29 Birnie Ave, Lidcombe, NSW, 2141 | nswsales@cmielectrical.com.au
CMI QLD-Brisbane
(07) 3863 0749
485A Zillmere Road,
Zillmere QLD 4034
southqdsales@cmielectrical.com.au

CMI QLD - Rockhampton
(07) 4921 0978
Shop 3 at 76 Hollingsworth Street,
North Rockhampton Qld 4701
northqdsales@cmielectrical.com.au

CMI VIC
(03) 9532 1233
3 Dissik Street,
Chellenham VIC 3192
vicsales@cmielectrical.com.au

CMI WA
(08) 9358 1788
36 Division Street,
Welshpool WA 6106
walesales@cmielectrical.com.au