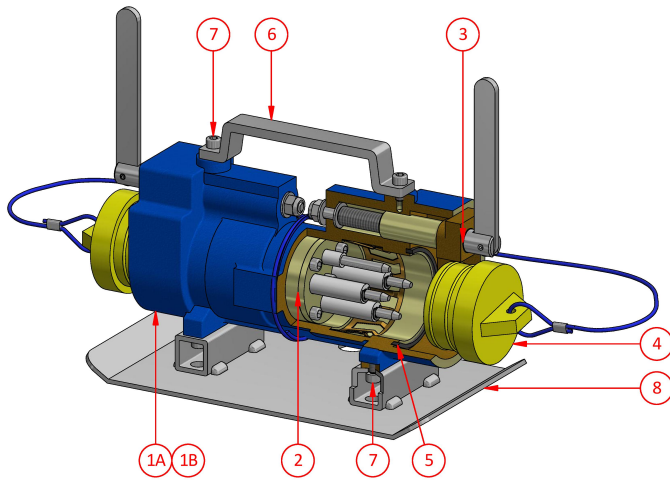


**Back to Back Receptacle**  
**AH664B - AH614B**

**60 Amp Series**

660V - 1100V

**AH664BS - AH614BS**

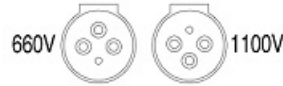


**Weight** 6kg (no skid) 8kg (with skid)  
**Dimensions** L 320mm W 140mm H 180mm (no skid) L 370mm W 190mm H 180mm (with skid)  
**Compliance** Explosion protected to AS/NZS1299 & IEC60079 Series  
**Materials** Manganese Bronze / Brass / PTFE  
**IP Rating** IP66/68

Ordering Procedure

- 1 Select complete Back to Back from Table 1

Table 1



| Part Number | Description                            | Colour |
|-------------|--|--------|
| AH664B      | 660V Back to Back Receptacle           | Orange |
| AH614B      | 1100V Back to Back Receptacle          | Blue   |
| AH664BS     | 660V Back to Back Receptacle c/w skid  | Orange |
| AH614BS     | 1100V Back to Back Receptacle c/w skid | Blue   |

Spare Parts

| #  | Part Number | Description                                       |
|----|-------------|---|
| 1A | F-4125-664  | 660V Back to Back Body c/w items 1A, 3, 5, 6 & 7  |
| 1B | F-4125-614  | 1100V Back to Back Body c/w items 1B, 3, 5, 6 & 7 |
| 2  | F-388       | Interior c/w screws AH115113 M5 x 35 skt. head    |
| 3  | 3856        | Jacking Screw                                     |
| 4  | F-309       | Sealing Plug                                      |
| 5  | 4401-1      | Seal  |
| 6  | 4131        | Lifting Handle                                    |
| 7  | AH151036    | Screw M6 x 12 skt. head                           |
| 8  | 4134        | Skid Plate  |

**CMI Head Office NSW** | (02) 9807 6155 | F3, 3-29 Birnie Ave, Lidcombe, NSW, 2141 | [nswsales@cmielectrical.com.au](mailto:nswsales@cmielectrical.com.au)  
**CMI QLD-Brisbane**  
 (07) 3863 0749  
 485A Zillmere Road,  
 Zillmere QLD 4034  
[southqldsales@cmielectrical.com.au](mailto:southqldsales@cmielectrical.com.au)

**CMI QLD - Rockhampton**  
 (07) 4921 0978  
 Shop 3 at 76 Hollingsworth Street,  
 North Rockhampton Qld 4701  
[northqldsales@cmielectrical.com.au](mailto:northqldsales@cmielectrical.com.au)

**CMI VIC**  
 (03) 9532 1233  
 3 Dissik Street,  
 Cheltenham VIC 3192  
[vicsales@cmielectrical.com.au](mailto:vicsales@cmielectrical.com.au)

**CMI WA**  
 (08) 9358 1788  
 36 Division Street,  
 Welshpool WA 6106  
[wasales@cmielectrical.com.au](mailto:wasales@cmielectrical.com.au)