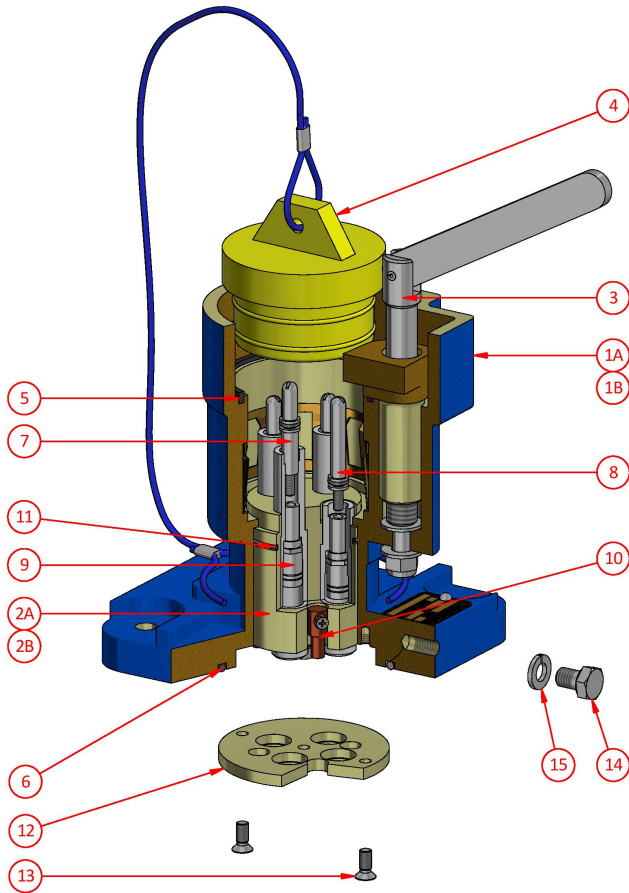


Receptacle  
AG664B - AG614B

60 Amp Series

660V - 1100V



**Weight** 6kg  
**Dimensions** L 180mm W 140mm H 320mm  
**Compliance** Explosion protected to AS/NZS1299 & IEC60079 Series  
**Materials** Manganese Bronze / Brass / PTFE  
**IP Rating** IP66/68

Ordering Procedure

- 1 Select Complete Receptacle from Table 1
- 2 Select Phase Thimble from Table 2 (3 Required)

Table 1



Part Number	Description	Colour
AG664B	660V Restrained Receptacle	Orange
AG614B	1100V Restrained Receptacle	Blue

NB: Receptacle supplied with Pilot Thimble

Table 2

Phase Thimble			
Part Number	CSA	ID mm	Utilux Die No.
4570	2.5	3.0	38-44 Cu
4570-1	6	3.7	38-44 Cu
4570-2	10	4.7	38-57 Cu
4570-3	16	5.5	38-63 Cu

NB: CSA is indicative only. Use ID for final selection

Spare Parts

#	Part Number	Description
1A	F-3492-664	660V Receptacle Body c/w items 1A, 3, 5, 6, 14 & 15
1B	F-3492-614	1100V Receptacle Body c/w items 1B, 3, 5, 6, 14 & 15
2A	F-4564	Interior c/w O-Ring, Earth Thimble, Retaining Plate & Screws
2B	F-4564KIT	Interior Service Kit c/w O-Rings, Insulators, Retaining Plate & Screws
3	3856	Jacking Screw
4	F-309	Sealing Plug
5	4401-1	Seal
6	A1019006	O-ring ID 82.14 x sect. 3.53
7	F-4566	Phase Contact Pin c/w O-ring A1019007
8	F-4569	Pilot Contact Pin c/w O-ring A1019007
9	See Table 2	Phase or Pilot Thimble
10	F-4650	Earth Thimble c/w screw AH151035 M3 x 10 csk. head
11	A1019008	O-ring ID 47.35 x sect. 1.78
12	4571	Interior Retaining Plate
13	AH151034	Screw M5 x 12 csk. head
14	AH113091	Screw M8 x 10 hex. head
15	AH009363	Spring Washer 5/16"

**CMI Head Office NSW** | (02) 9807 6155 | F3, 3-29 Birnie Ave, Lidcombe, NSW, 2141 | nswsales@cmielectrical.com.au  
**CMI QLD-Brisbane**  
(07) 3863 0749  
485A Zillmere Road,  
Zillmere QLD 4034  
southqdsales@cmielectrical.com.au

**CMI QLD - Rockhampton**  
(07) 4921 0978  
Shop 3 at 76 Hollingsworth Street,  
North Rockhampton Qld 4701  
northqdsales@cmielectrical.com.au

**CMI VIC**  
(03) 9532 1233  
3 Dissik Street,  
Cheltenham VIC 3192  
vicsales@cmielectrical.com.au

**CMI WA**  
(08) 9358 1788  
36 Division Street,  
Welshpool WA 6106  
wasales@cmielectrical.com.au