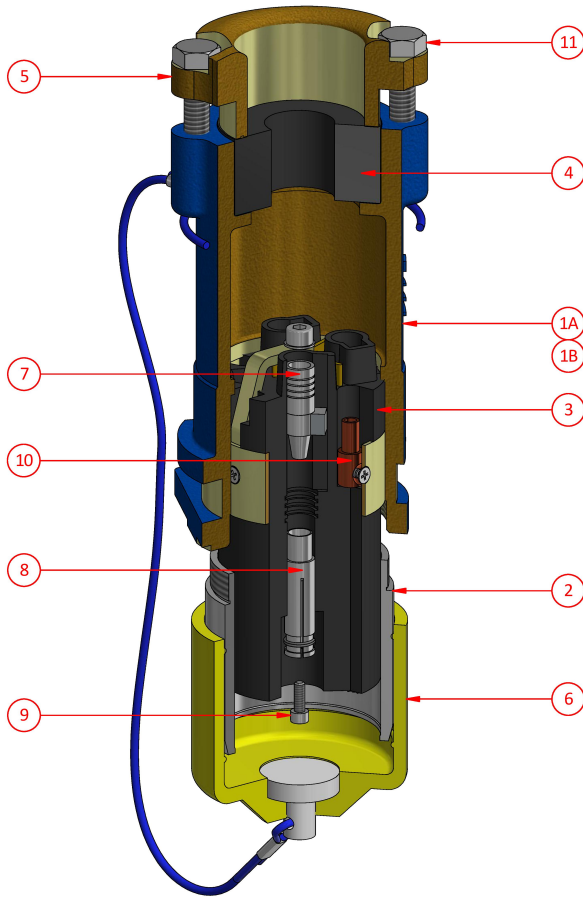


**Restrained Plug Integral Gland
AF664R - AF614R**

60 Amp Series

660V - 1100V

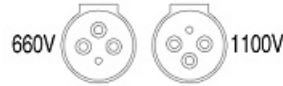


Weight 3kg
Dimensions L 130mm W 130mm H 270mm
Compliance Explosion protected to AS/NZS1299 & IEC60079 Series
Materials Manganese Bronze / Neoprene / Stainless Steel
IP Rating IP66/68

Ordering Procedure

- 1 Select complete Plug from Table 1
- 2 Select Phase Thimble from Table 2 (3 Required)
- 3 Select Grommet from Table 3

Table 1



| Part Number | Description | Colour |
|-------------|-----------------------|--------|
| AF664R | 660V Restrained Plug | Orange |
| AF614R | 1100V Restrained Plug | Blue |

NB: Plug supplied with Pilot Thimble

Table 2

Phase Thimble - c/w screw AH009006 6-32 x 3/8" skt. head

| Part Number | CSA | ID mm | Utilux Die No. |
|-------------|-----|-------|----------------|
| F-3758 | 2.5 | 3.0 | 38-44 Cu |
| F-3758-1 | 6 | 3.7 | 38-44 Cu |
| F-3758-2 | 10 | 4.7 | 38-57 Cu |
| F-3758-3 | 16 | 5.5 | 38-63 Cu |
| F-3758-4 | 25 | 7.1 | 38-77 Cu |

NB: CSA is indicative only. Use ID for final selection

Table 3

Neoprene Grommets

| Part Number | Cable Acceptance mm |
|-------------|---------------------|
| 89197-13 | 9.0-13.0 |
| 89197-16 | 12.0-16.0 |
| 89197-19 | 15.0-19.0 |
| 89197-22 | 18.0-22.0 |
| 89197-25 | 21.0-25.0 |
| 89197-29 | 24.0-29.0 |
| 89197-32 | 28.0-32.0 |
| 89197-35 | 31.0-35.0 |
| 89197-37 | 34.0-37.0 |

Spare Parts

| # | Part Number | Description |
|----|-------------|---|
| 1A | F-4078-664 | 660V Plug Body c/w items 1A, 5 & 11 |
| 1B | F-4078-614 | 1100V Plug Body c/w items 1B, 5 & 11 |
| 2 | 4080SS | Earth Sleeve |
| 3 | F-4082-1 | Interior c/w Earth Thimble, Earth Ring, Strap, Screw & Washer |
| 4 | See Table 3 | Neoprene Grommet |
| 5 | 89207-2B | Clamping Cap |
| 6 | F-420L | Protection Cap |
| 7 | See Table 2 | Phase or Pilot Thimble |
| 8 | F-3759 | Phase or Pilot Socket |
| 9 | AH009006 | Screw 6-32 x 3/8" skt. head |
| 10 | F-4650 | Earth Thimble c/w screw AH151035 M3 x 10 csk. head |
| 11 | AH113096 | Screw M8 x 30 hex. head |

CMi Head Office NSW | (02) 9807 6155 | F3, 3-29 Birnie Ave, Lidcombe, NSW, 2141 | nswsales@cmielectrical.com.au
CMi QLD-Brisbane
(07) 3863 0749
485A Zillmere Road,
Zillmere QLD 4034
southqdsales@cmielectrical.com.au

CMi QLD - Rockhampton
(07) 4921 0978
Shop 3 at 76 Hollingsworth Street,
North Rockhampton Qld 4701
northqdsales@cmielectrical.com.au

CMi VIC
(03) 9532 1233
3 Dissik Street,
Cheltenham VIC 3192
vicsales@cmielectrical.com.au

CMi WA
(08) 9358 1788
36 Division Street,
Welshpool WA 6106
wasales@cmielectrical.com.au