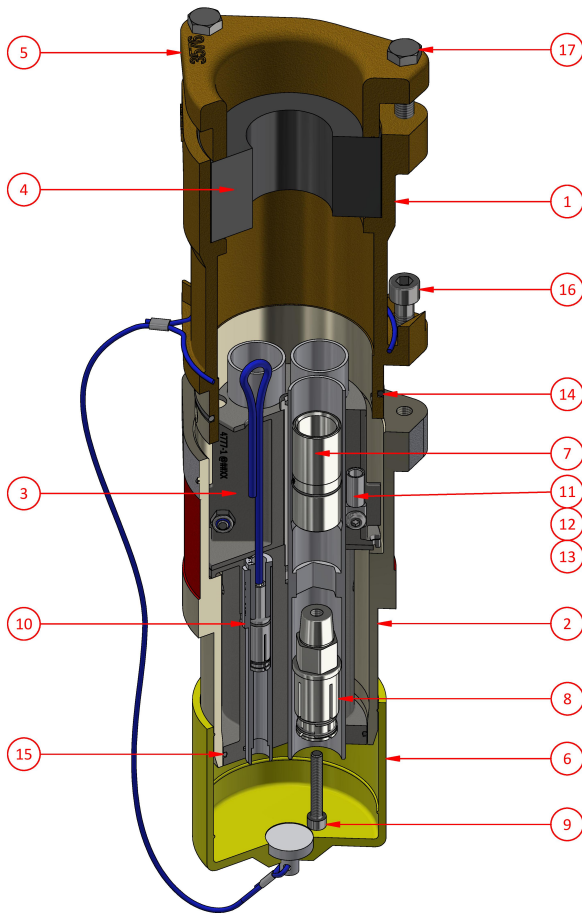


Restrained Plug
AF434T3

425 Amp Series

3300V



Weight
Dimensions
Compliance
Materials
IP Rating

12kg
L 150mm W 150mm H 410mm
Explosion protected to AS/NZS1299 & IEC60079 Series
Manganese Bronze / PTFE / Stainless Steel
IP66/68

Ordering Procedure

- 1 Select complete Plug from Table 1
- 2 Select Phase Thimble from Table 2 (3 Required)
- 3 Select Grommet from Table 3

Table 1



Part Number	Description	Colour
AF434T3	3300V Restrained Plug	Red/Silver

NB: Plug supplied with Pilot Thimble

Table 2

Phase Thimble - c/w screw AH115147 M6 x 40 skt. head

Part Number	ID mm	Utilux Die No.
F-4789-8	8.0	38-92 Cu
F-4789-10	10.0	38-115Cu
F-4789-11	11.0	38-115 Cu
F-4789-13	13.5	38-142 Cu
F-4789-14	14.5	38-165 Cu
F-4789-16	16.5	38-165 Cu
F-4789-18	18.5	38-200 Cu
F-4789-20	20.5	38-200 Cu

NB: Use ID for thimble selection

Table 3

Neoprene Grommets

Part Number	Cable Acceptance mm
3054-25	22.0-25.0
3054-31	24.0-31.0
3054-35	30.0-35.0
3054-38	34.0-38.0
3054-41	37.0-41.0
3054-45	40.0-45.0
3054-47	44.0-47.0
3054-51	46.0-51.0
3054-54	50.0-54.0
3054-57	53.0-57.0
3054-60	56.0-60.0
3054-64	59.0-64.0
3054-67	63.0-67.0
3054-70	66.0-70.0
3054-73	69.0-73.0
3054-76	72.0-76.0

Spare Parts

#	Part Number	Description
1	F-3339-434T	3300V Small Gland Body c/w items 1, 5, 14, 16 & 17
2	F-3342-434T	3300V Nose Cone
3	F-4777-60	Interior Assy c/w Insulators, Pilot Assy, Earth Lugs, O-Rings, Screws and Washers
4	See Table 3	Neoprene Grommet
5	3576B	Clamping Cap
6	F-264L	Protection Cap
7	See Table 2	Phase Thimble c/w screw & O-ring
8	F-4787	Phase Socket
9	AH115147	Screw M6 x 40 skt head
10	F-4791-60	Pilot Socket Assy c/w insulator, o-ring & lead
11	AH017258	Earth Lug
12	AH117116	Screw M6 x 12 button head
13	AH122001	M6 Nylon Nut
14	AI019011	O-ring ID 91.67 x sect. 3.53
15	AI019056	O-ring ID 75.87 x sect 2.62
16	AH117113	Screw M10 x 40 skt. head
17	AH113116S	Screw M10 x 50 hex. head